

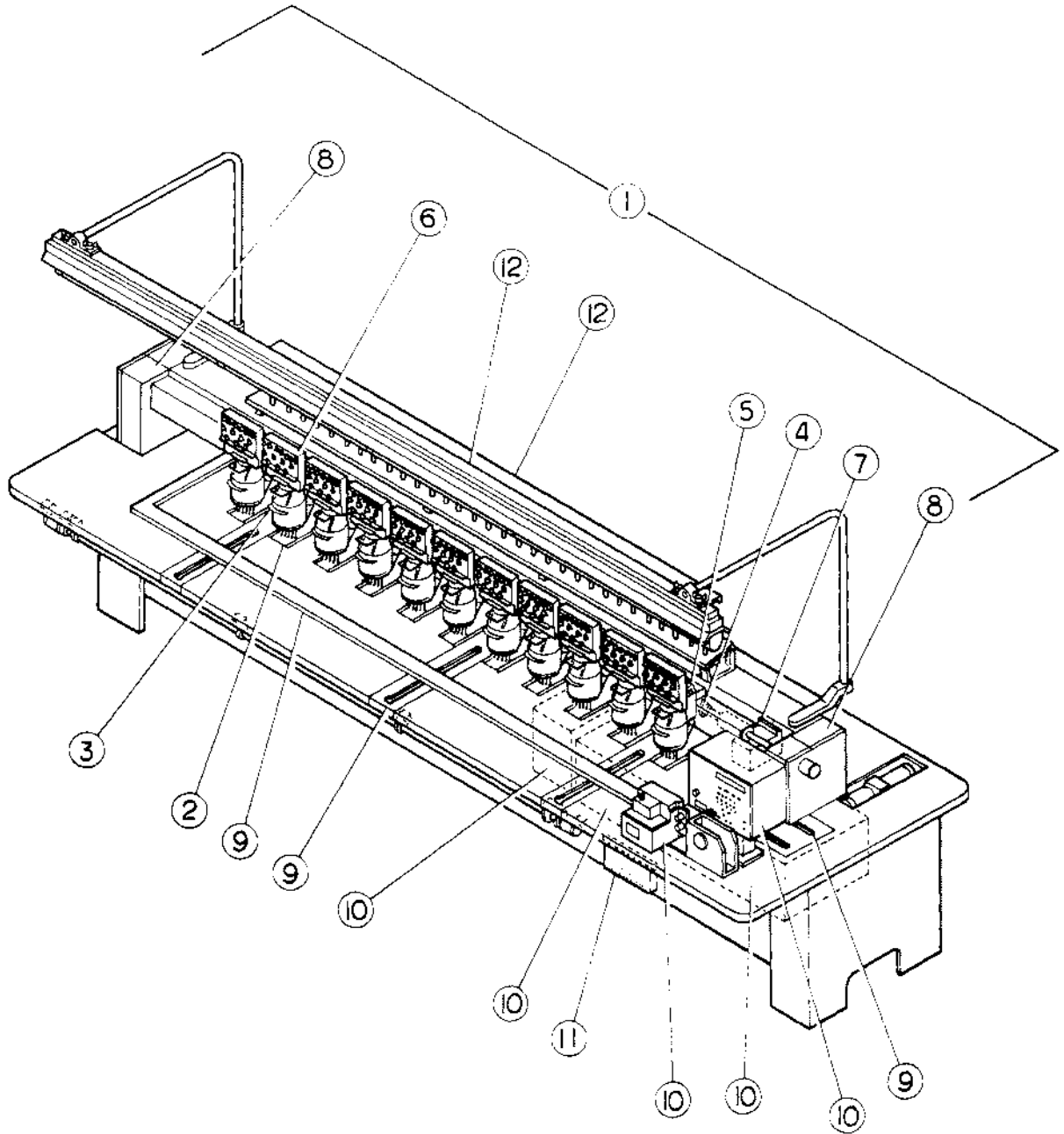
# Barudan

HIGH SPEED AUTOMATIC EMBROIDERY MACHINE

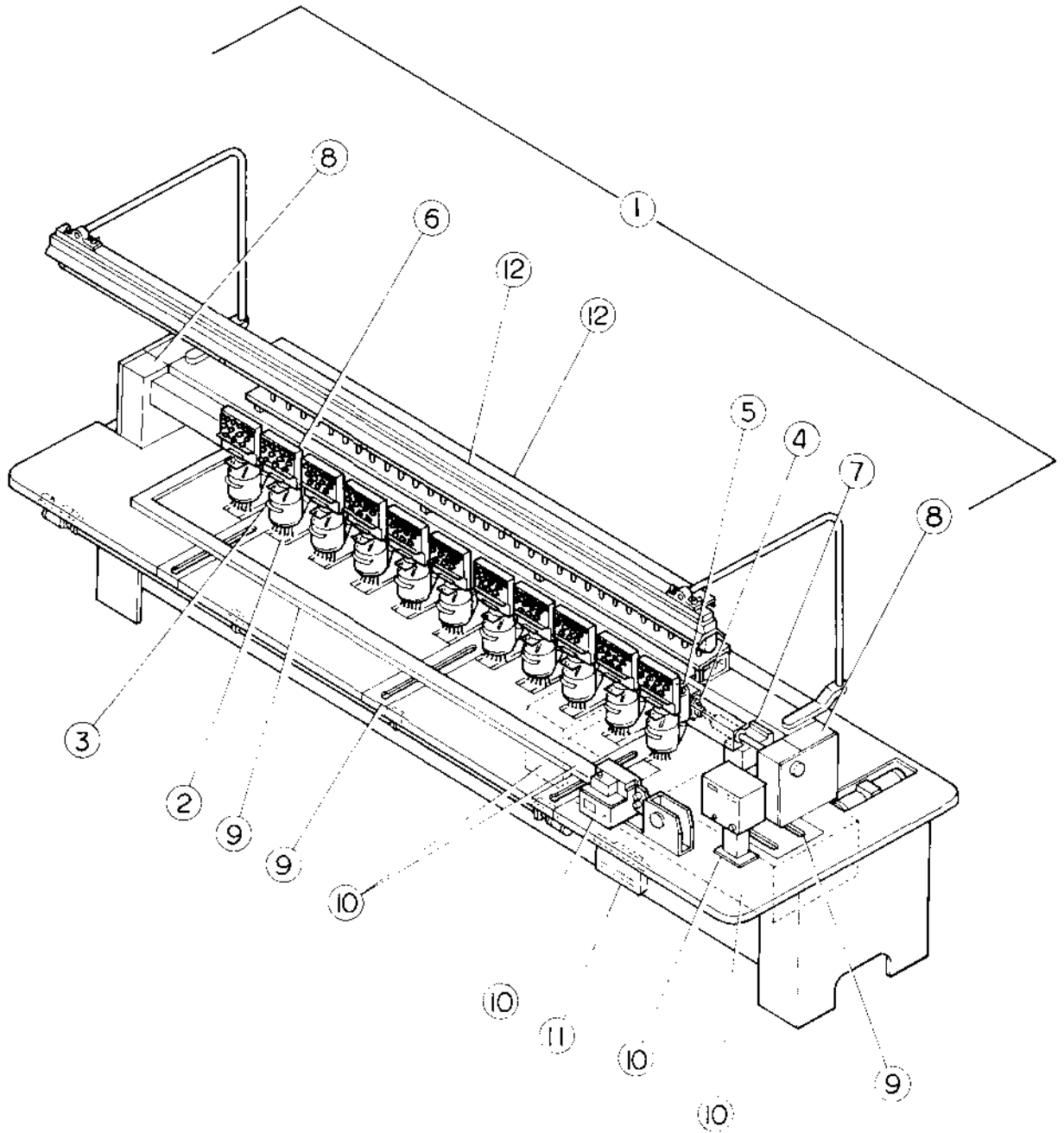
MODEL **BEXH**  
**BESRH**

**PARTS BOOK**

# ① BESRH MACHINE LAYOUT



# ① BEXH MACHINE LAYOUT



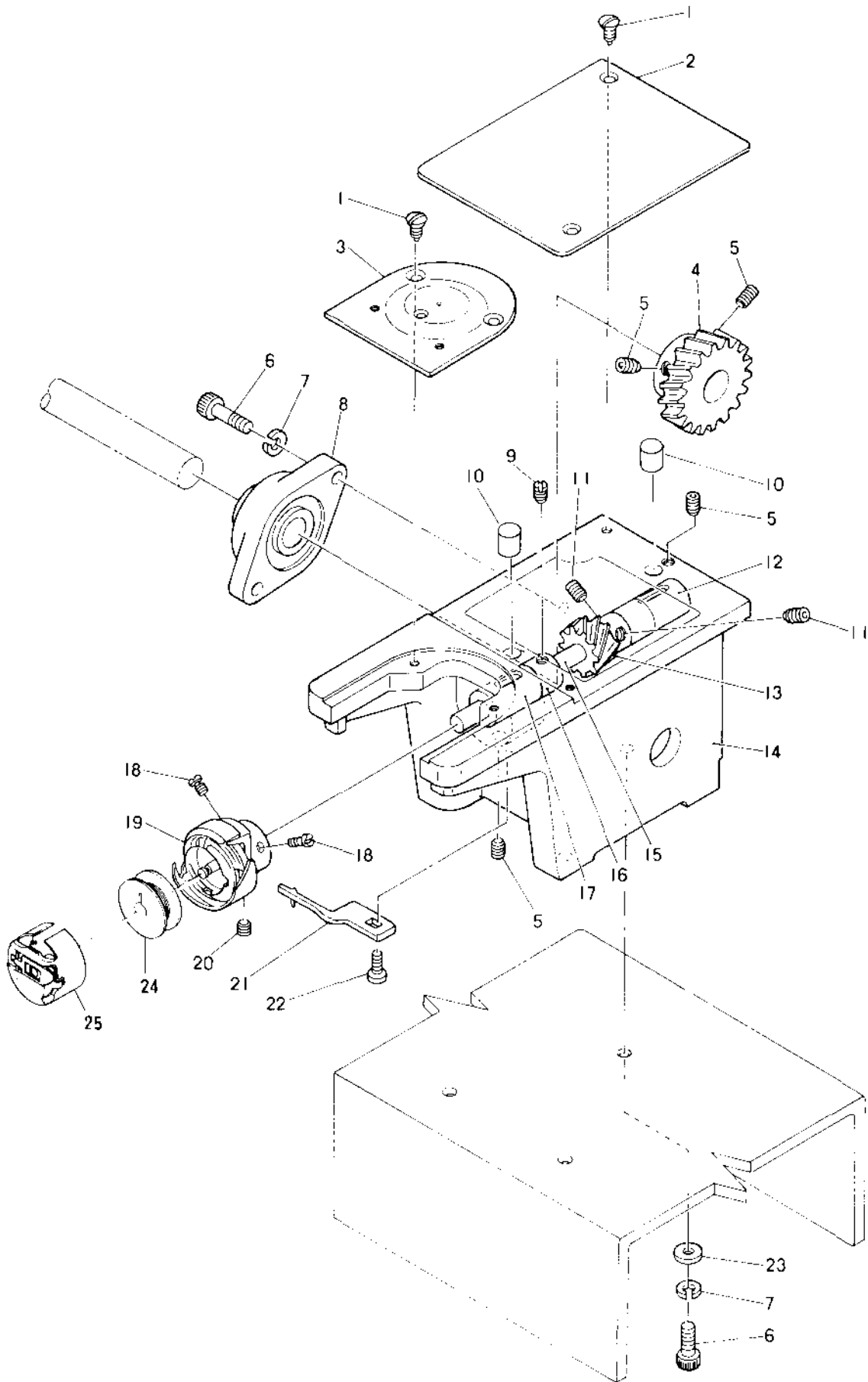
# BEXH BESRH COMPUTERIZED EMBROIDERY MACHINE PARTS LIST

## INDEX

	PAGE NO.
① MACHINE LAYOUT	
1. ② SEWING HEAD BASE.....	1~ 2
2. ③ NEEDLE BAR MECHANISM I (3 NEEDLES) .....	3~ 4
3. ③ NEEDLE BAR MECHANISM II (5 NEEDLES) .....	5~ 6
4. ③ NEEDLE BAR MECHANISM III (7 NEEDLES).....	7~ 8
5. ③ TAKE UP LEVER MECHANISM I (3 NEEDLES).....	9~10
6. ③ TAKE UP LEVER MECHANISM II (5 NEEDLES) .....	11~12
7. ③ TAKE UP LEVER MECHANISM III (7 NEEDLES).....	13~14
8. ④ SEWING HEAD MECHANISM.....	15~16
9. ⑤ JUNP STITCH MECHANISM.....	17~18
10. ⑥ THREAD GUIDE MECHANISM I (3 NEEDLES).....	19~20
11. ⑥ THREAD GUIDE MECHANISM II (5 NEEDLES).....	21~22
12. ⑥ THREAD GUIDE MECHANISM III (7 NEEDLES).....	23~24
13. ⑦ COLOR CHANGE MECHANISM I .....	25~26
14. ⑦ COLOR CHANGE MECHANISM II.....	27~28
15. ⑧ DRIVE MECHANISM I.....	29~30
16. ⑧ DRIVE MECHANISM II.....	31~32
17. ⑧ DRIVE MECHANISM III.....	33~34
18. ⑨ PANTOGRAPH DRIVE MECHANISM I .....	35~36
19. ⑨ PANTOGRAPH DRIVE MECHANISM II (V DIRECTION).....	37~38
20. ⑨ PANTOGRAPH DRIVE MECHANISM III (H DIRECTION).....	39~40
21. 10 CONTROL SYSTEM I (BESRH).....	41~42
22. 10 CONTROL SYSTEM II (BEXH) .....	43~44
23. 11 LINDERTHREAD STOP MOTION.....	45~46
24. 12 THREAD STAND, LAMP, ETC. ....	47~48
25. 13 TRIMMING DEVICE FOR TOP & BOTTOM.....	49~51
26. 13 TRIMMING DEVICE FOR TOP & BOTTOM.....	52~53
THREAD I (OPTION)	
THREAD II (OPTION)	

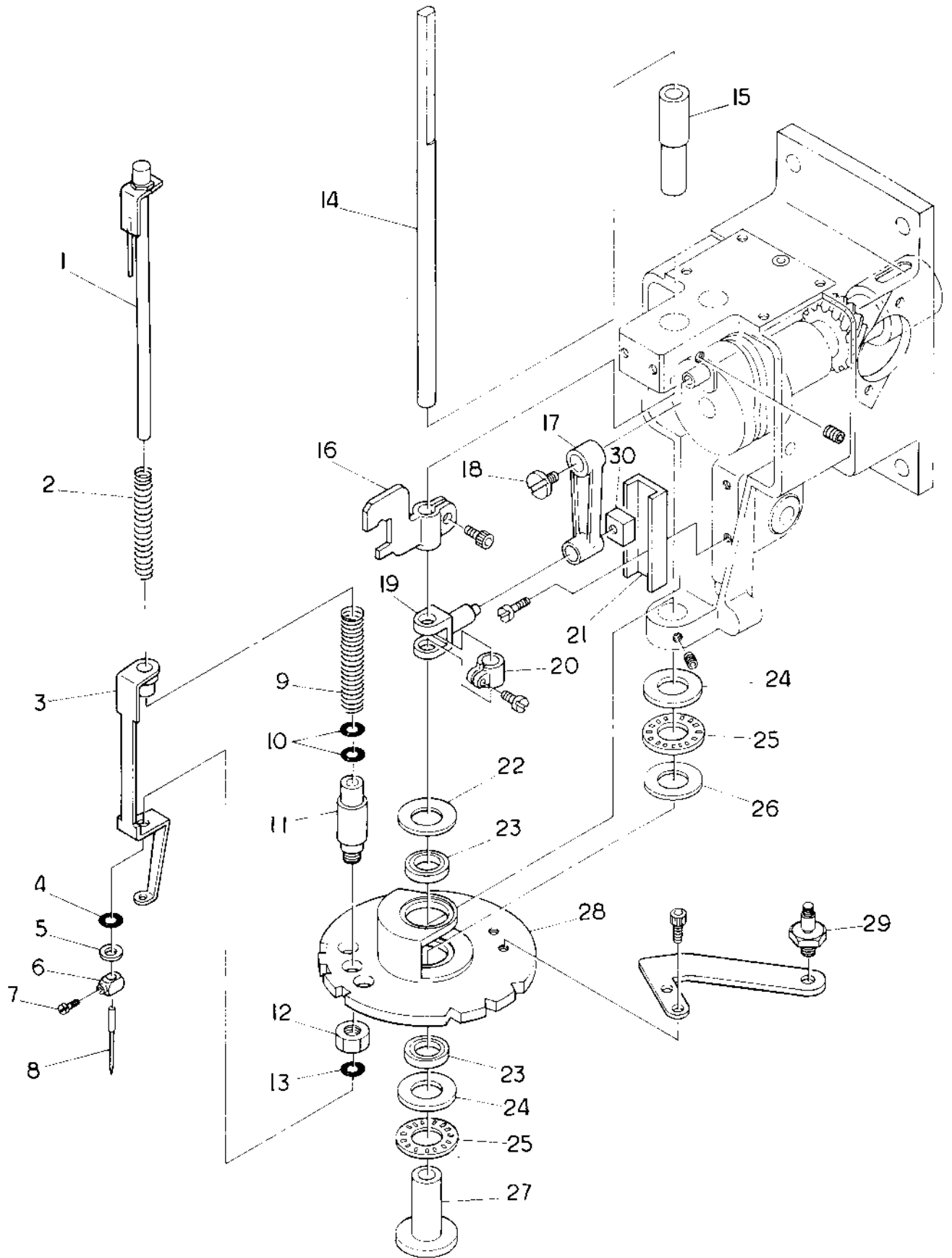
## ② SEWING HEAD BASE

1





### ③ NEEDLE BAR MECHANISM I (3 NEEDLES)

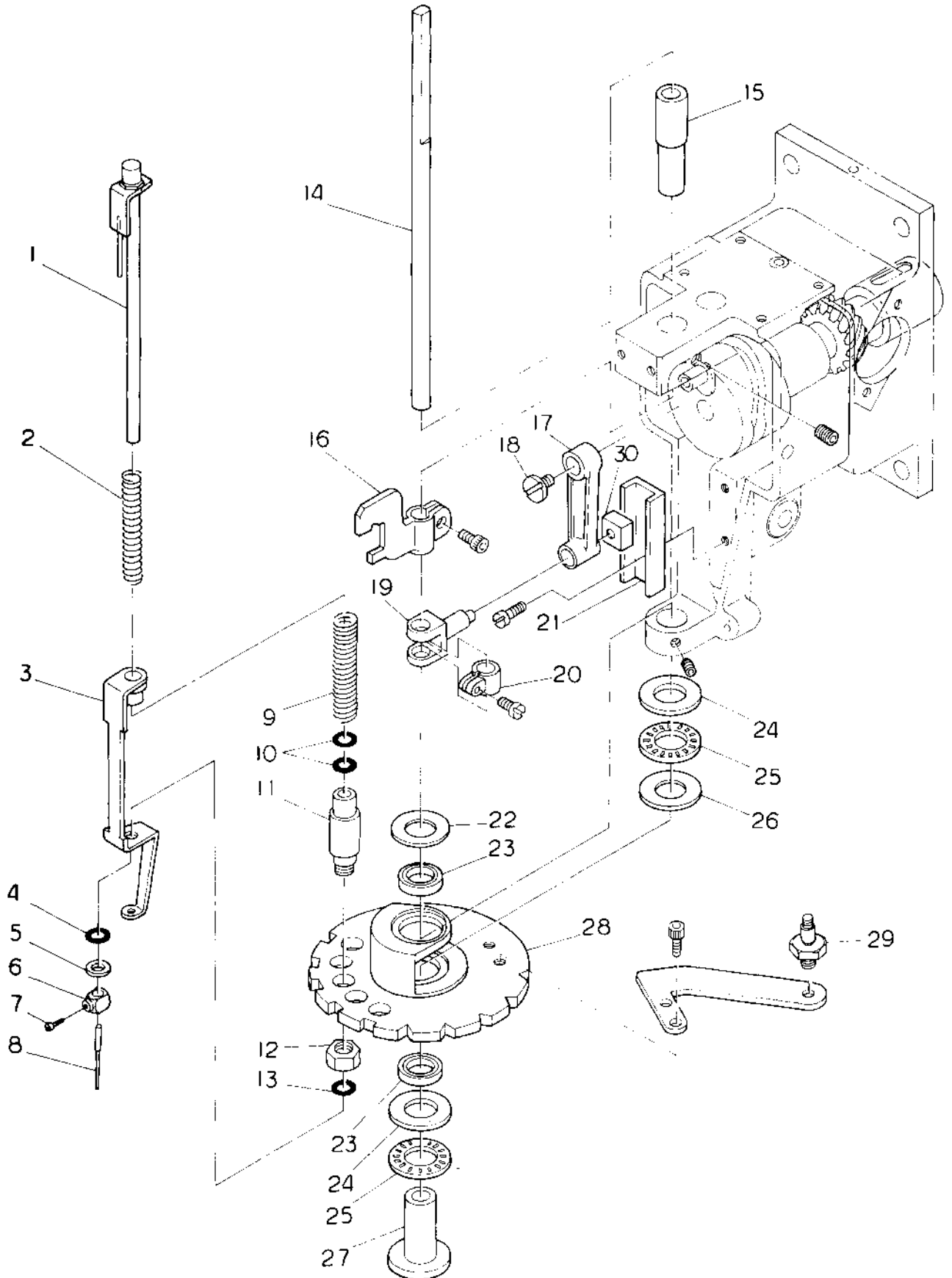


3 NEEDLE BAR MECHANISM (3 NEEDLES)

NO.	PARTS NO.	DESCRIPTION	REMARKS
1	2301F	NEEDLE BAR ASSY	
2	2318F	NEEDLE BAR SPRING UPPER	
3	2502F	PRESSOR FOOT	
4	2391F	O RING (Small)	
5	2393F	SPACER (276)	
6	2323F	NEEDLE CLAMP	
7	2324F	NEEDLE CLAMP SCREW (SM) 6X7 45	
8	2325F	NEEDLE	
9	2321F	NEEDLE BAR SPRING LOWER	
10	2391F	O RING (Big)	
11	2313F	THREADED BUSH	
12		NUT M10	
13	2391F	O RING (Small)	
14	2331F	NEEDLE BAR DRIVING SHAFT	
15	2332F	UPPER BUSH	
16	2334C	NEEDLE BAR DRIVER	
17	2300P00	NEEDLE BAR CONNECTING LINK	
18	2315F	SCREW FOR NEEDLE BAR CONNECTING LINK	
19	2308P00	NEEDLE BAR DRIVING FORK	
20	2318F	NEEDLE SHAFT CLAMP	
21	2301P00	GUIDE CASE	
22	2312F	THRUST RACE WASHER	
23	91003	BEARING SPACER AS 05	
24	91123	THRUST WASHER AS 128	
25	91124	THRUST RACE NIB 128	
26	91122	THRUST WASHER AS 128	
27	2333F	BEARING SHAFT	
28	2318F	NEEDLE BAR TURNLET FOR 3 NEEDLES	
29	2304P00	PIVOT CONNECTING STUD	
30		NEEDLE BAR CONNECTING LINK GUIDE	



### ③ NEEDLE BAR MECHANISM II (5 NEEDLES)

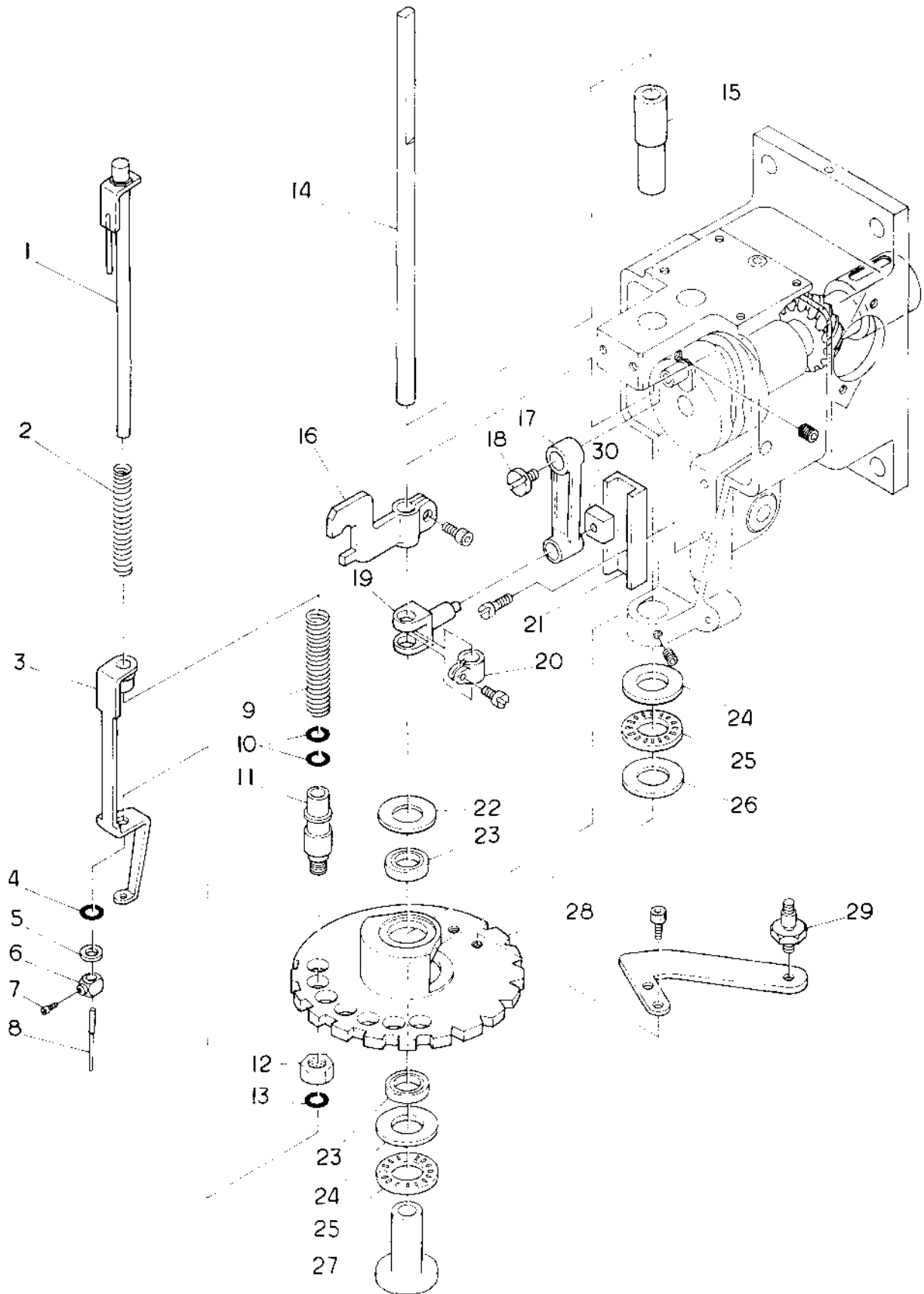


3 NEEDLE BAR MECHANISM II (5 NEEDLES)

3

NO.	PARTS NO	DESCRIPTION	REMARKS
1	2301F	NEEDLE BAR ASSY	
2	2318F	NEEDLE BAR SPRING (UPPER)	
3	2302F	PRESSOR FOOT	
4	2301F	O RING (SMALL)	
5	2303F	SPACER (2 <sup>nd</sup> )	
6	2323F	NEEDLE CLAMP	
7	2324F	NEEDLE CLAMP SCREW (SMALL GAITER)	
8	2325F	NEEDLE	
9	2321F	NEEDLE BAR SPRING (LOWER)	
10	2301F	O RING (BIG)	
11	2313F	THREADED BUSH	
12		NUT (30)	
13	2301F	O RING (SMALL)	
14	2331F	NEEDLE BAR DRIVE SHAFT	
15	2332F	UPPER BUSH	
16	2334C	NEEDLE BAR DRIVER	
17	2309P00	NEEDLE BAR CONNECTING LINK	
18	2345F	SCRW FOR NEEDLE BAR CONNECTING LINK	
19	2309P00	NEEDLE BAR DRIVING FORK	
20	2318F	NEEDLE SHAFT CLAMP	
21	2301P00	GUIDE CASE	
22	2312F	THRUST RACE WASHER	
23	91009	BEARING SPACER (26)	
24	91123	THRUST WASHER (S 12S)	
25	91121	THRUST RACE NUT (18S)	
26	91122	THRUST WASHER (S 12S)	
27	2333F	BEARING SHAFT	
28	2311F	NEEDLE BAR TURRET PLATE	
29	2331P00	PLATE CONNECTING STUD	
30		NEEDLE BAR CONNECTING LINK (GUIDE)	

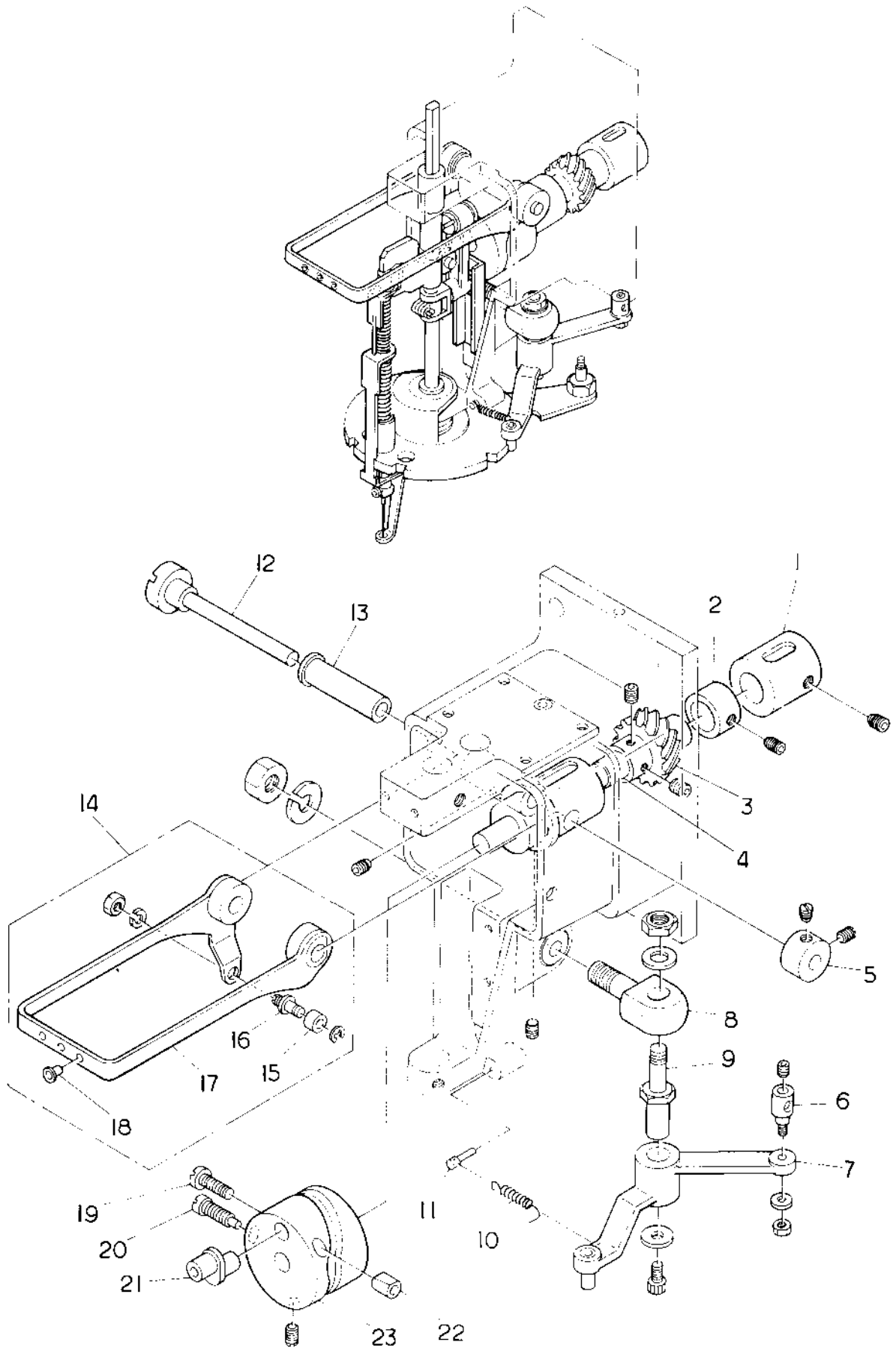
### ③ NEEDLE BAR MECHANISM III (7 NEEDLES)



3. NEEDLE BAR MECHANISM III (7 NEEDLES)

NO.	PARTS NO.	DESCRIPTION	REMARKS
1	2301F	NEEDLE CLAMP ASSY	
2	2318F	NEEDLE BAR SPRING (2PCS)	
3	2302G	PRESSURE FOOT	
4	2301F	NEEDLE CLAMP	
5	2303F	SCREW (2PCS)	
6	2323F	NEEDLE CLAMP	
7	2324F	NEEDLE CLAMP SCREW (SMOOTH)	
8	2325F	NEEDLE	
9	2321F	NEEDLE BAR SPRING (2PCS)	
10	2301F	NEEDLE CLAMP	
11	2313G	TRIPLE POINT PUSH	
12		SCREW	
13	2301F	NEEDLE CLAMP	
14	2331F	NEEDLE BAR SPRING (2PCS)	
15	2332F	TRIP POINT	
16	2334G	NEEDLE BAR PRIMER	
17	2300P00	NEEDLE BAR CONNECTION LINK	
18	2345F	SCREW FOR NEEDLE BAR CONNECTION LINK	
19	2300P00	NEEDLE BAR CONNECTION LINK	
20	2348F	NEEDLE STAY CLAMP	
21	2301P00	GUIDE CASE	
22	2312F	TRIP POINT WASHERS	
23	91000	FRAMING SCREW (2PCS)	
24	91123	TRIP POINT WASHERS (2PCS)	
25	91121	TRIP POINT WASHERS (2PCS)	
26	91122	TRIP POINT WASHERS (2PCS)	
27	2335F	CLEANING SEAL	
28	2311G	NEEDLE BAR TIGHTEN PLATE	
29	2304P00	FRAMING SCREW (2PCS)	
30		NEEDLE BAR CONNECTION LINK (2PCS)	

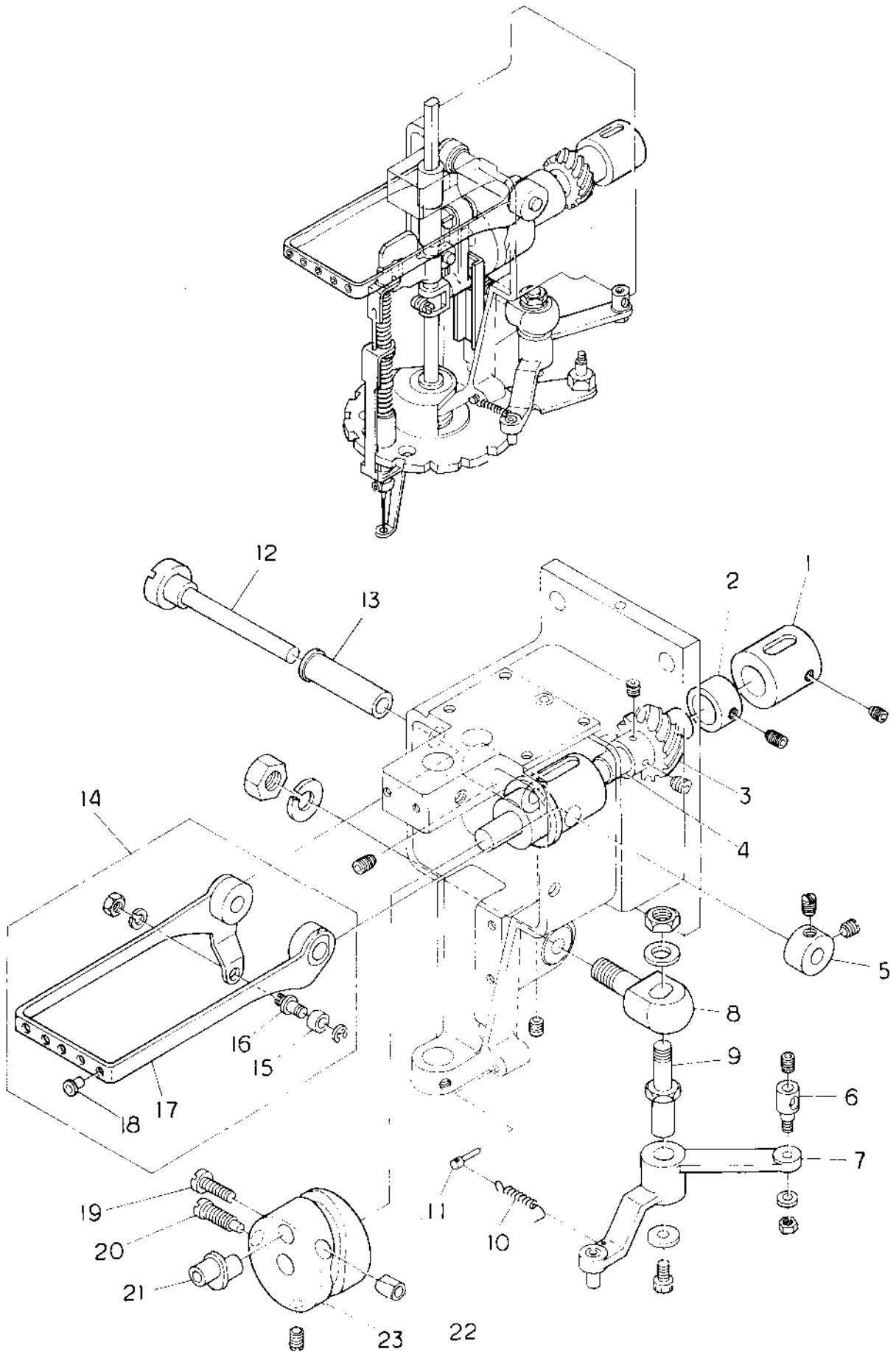
③ TAKE UP LEVER MECHANISM I (3 NEEDLES)





### ③ TAKE UP LEVER MECHANISM II (5 NEEDLES)

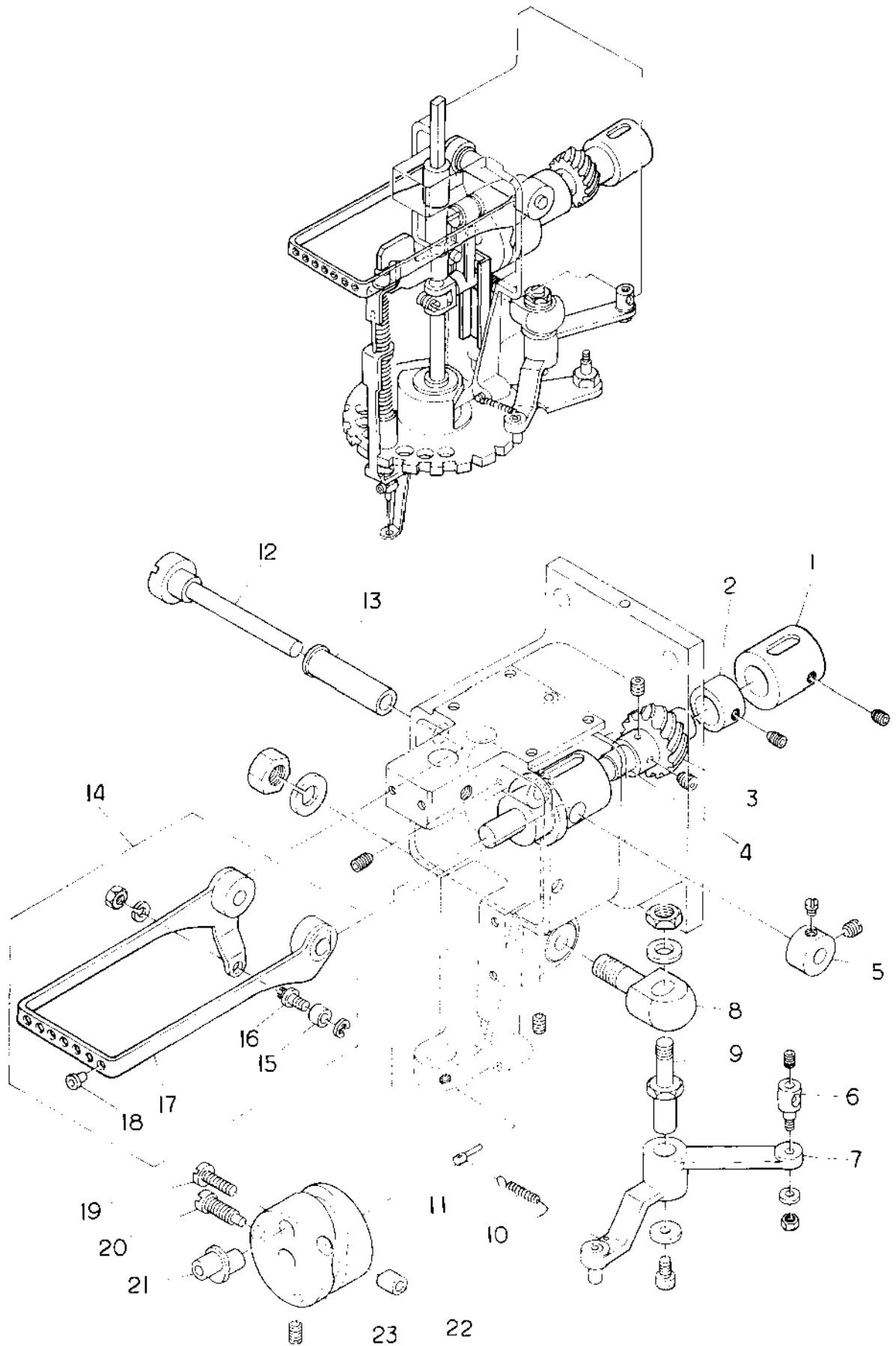
6







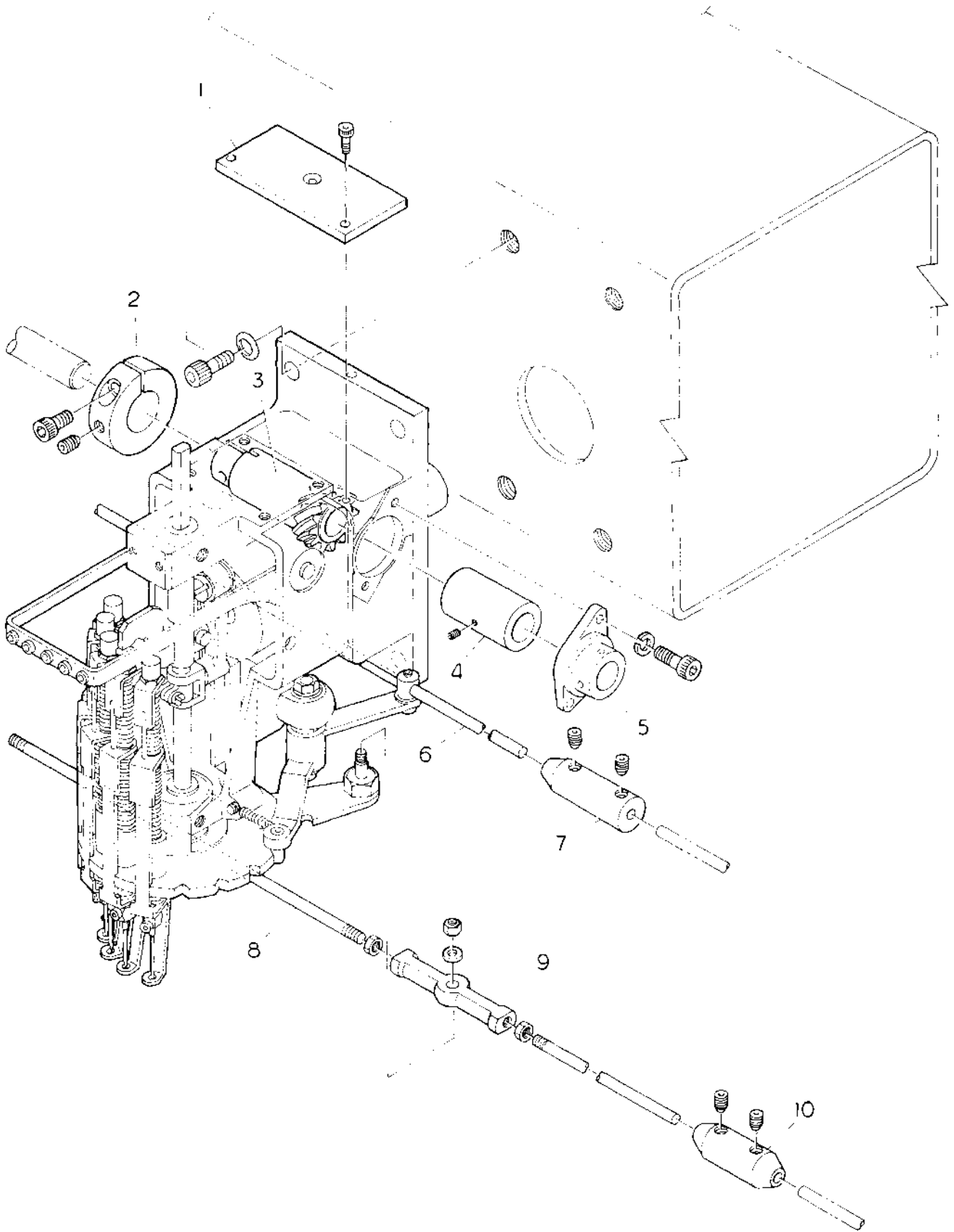
③ TAKE UP LEVER MECHANISM III (7 NEEDLES)





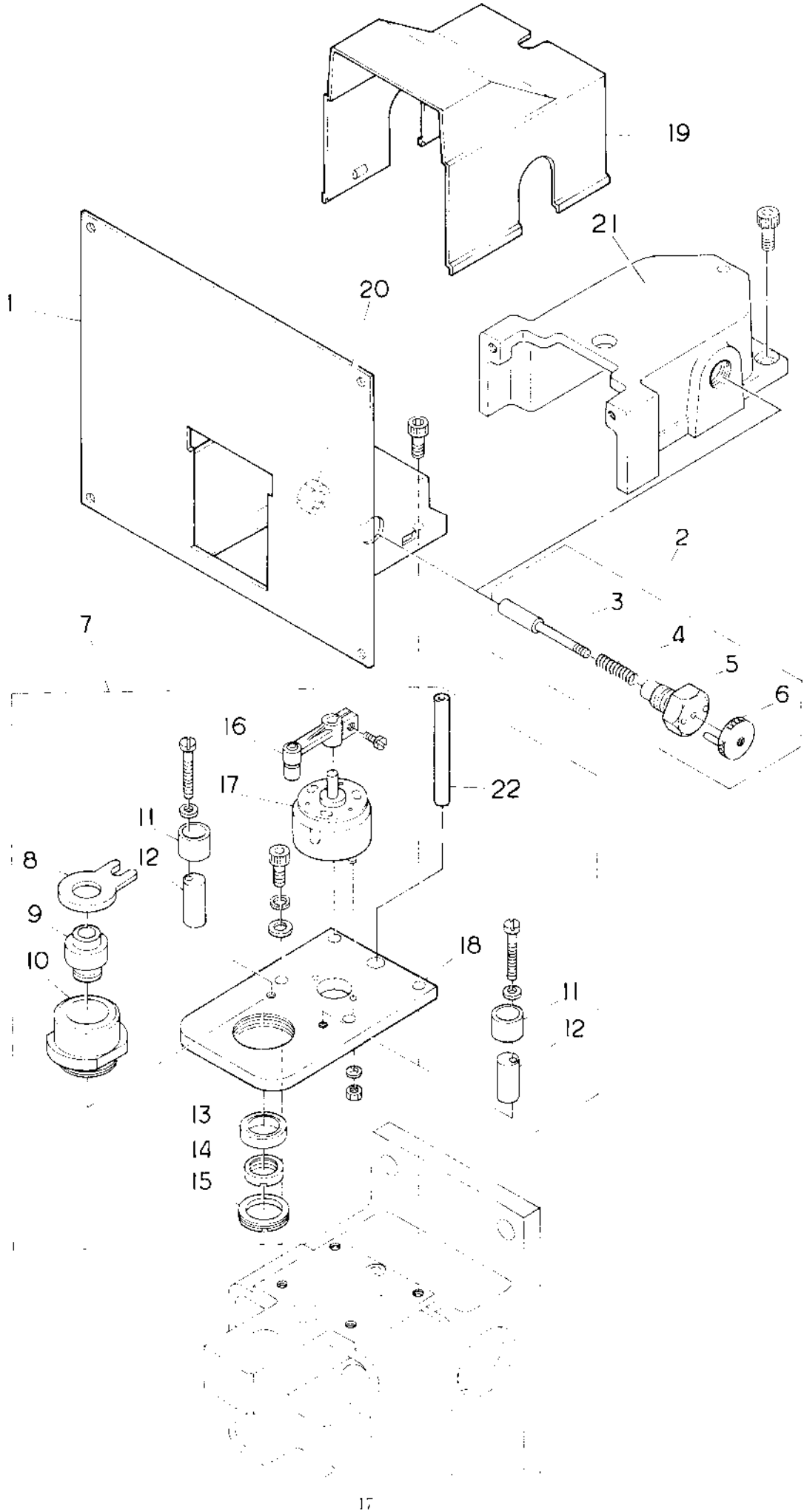
# ④ SEWING HEAD MECHANISM

8



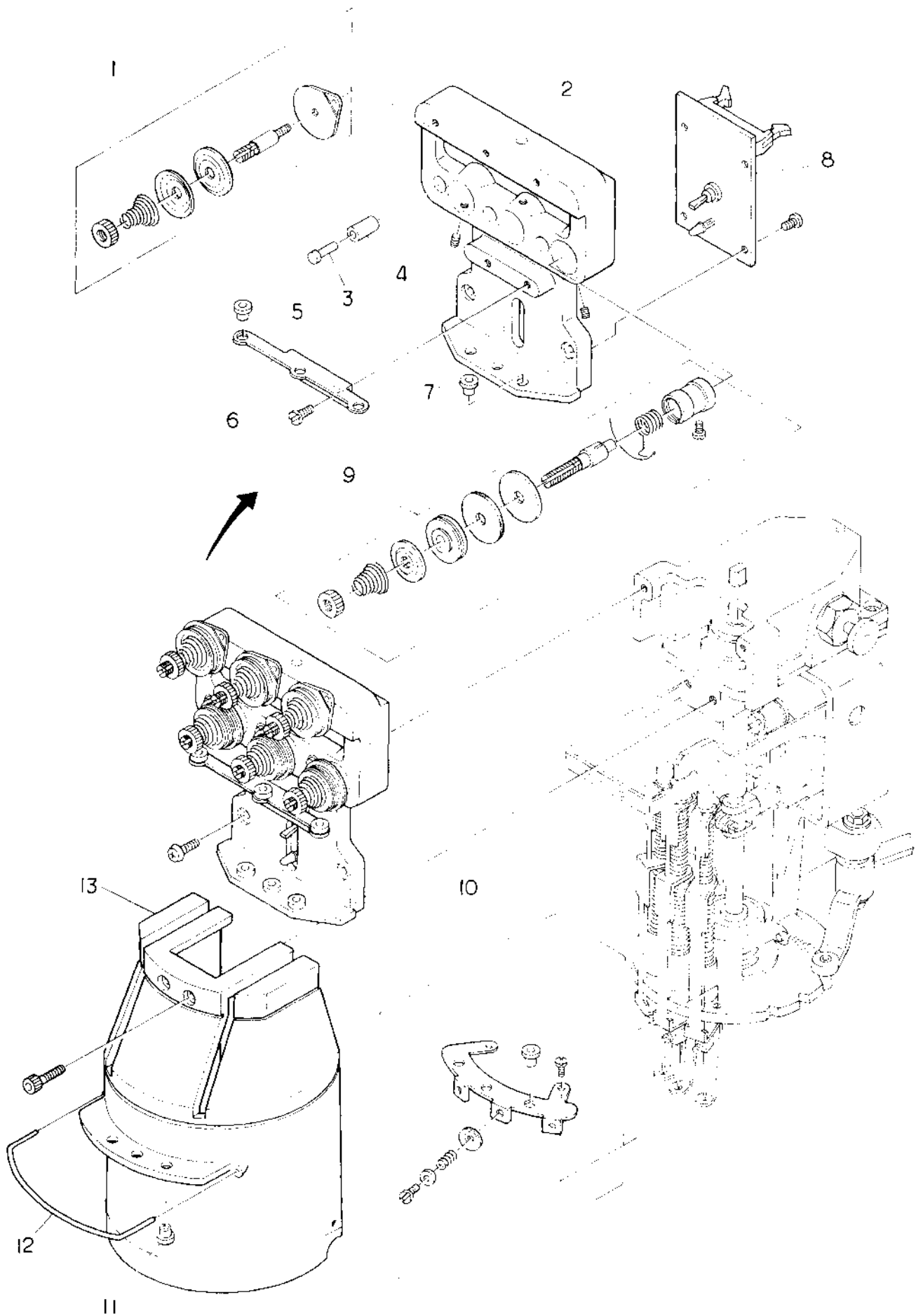


# ⑤ JUMP STITCH MECHANISM



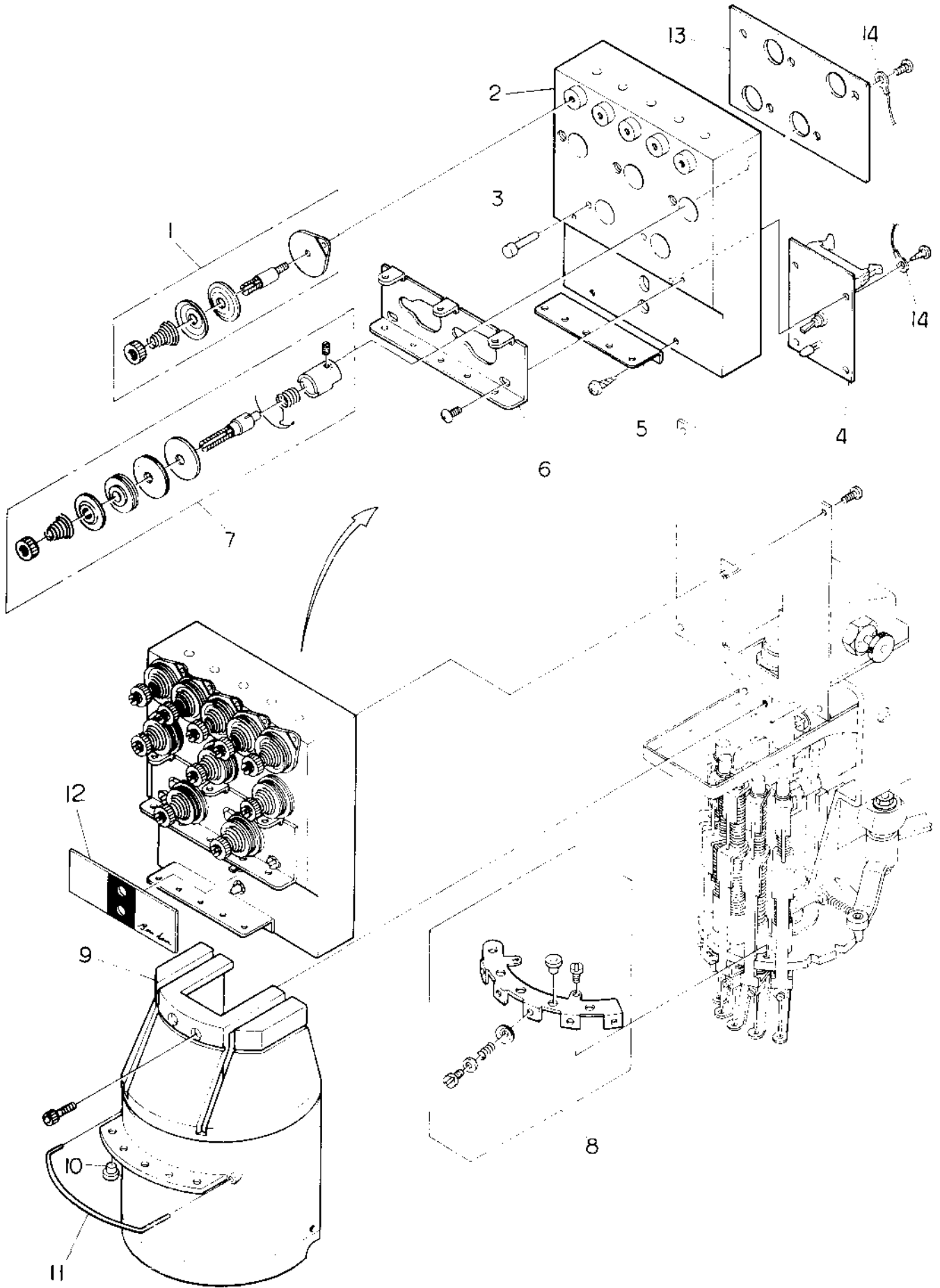


# ⑥ THREAD GUIDE MECHANISM I (3 NEEDLES)



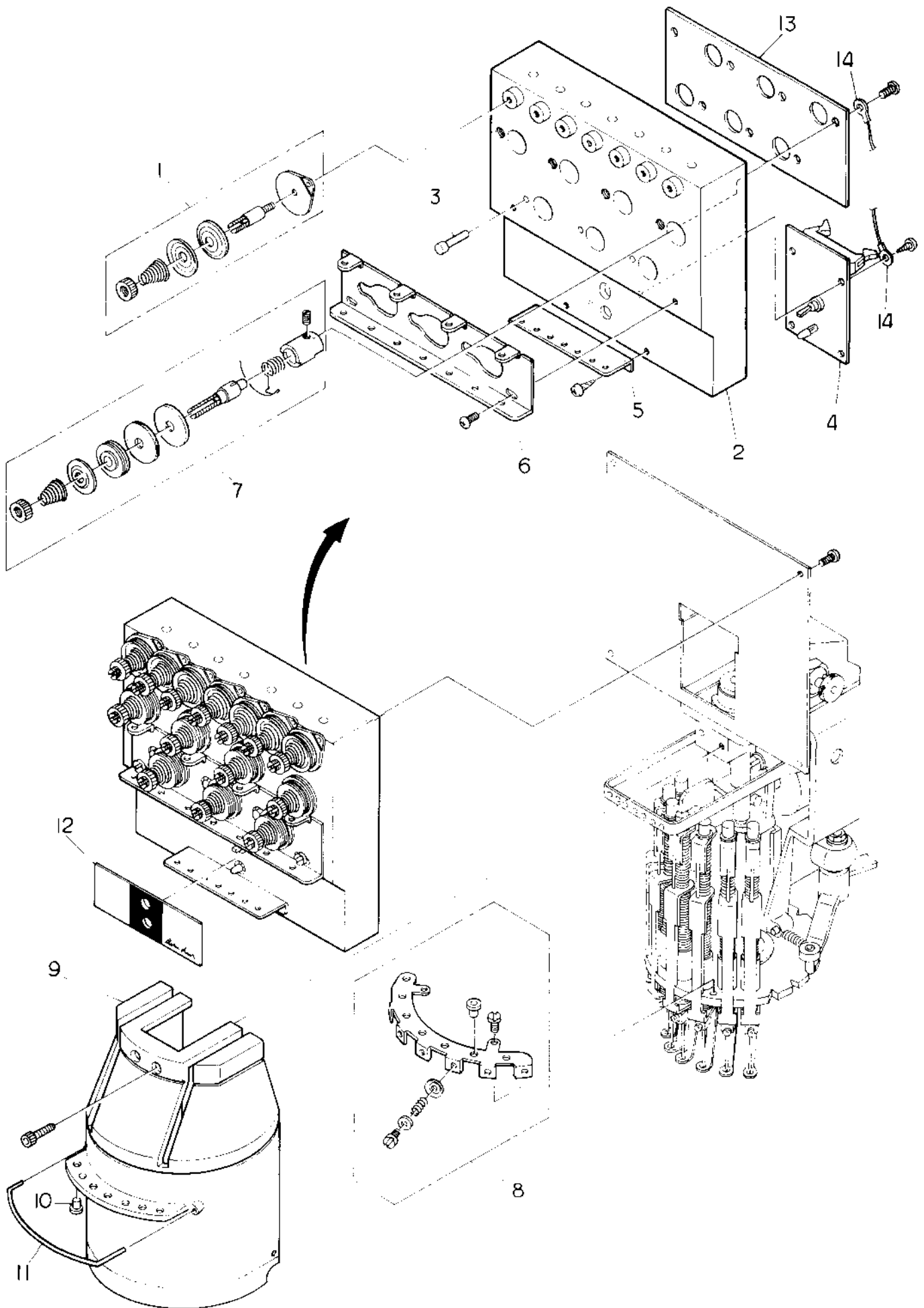




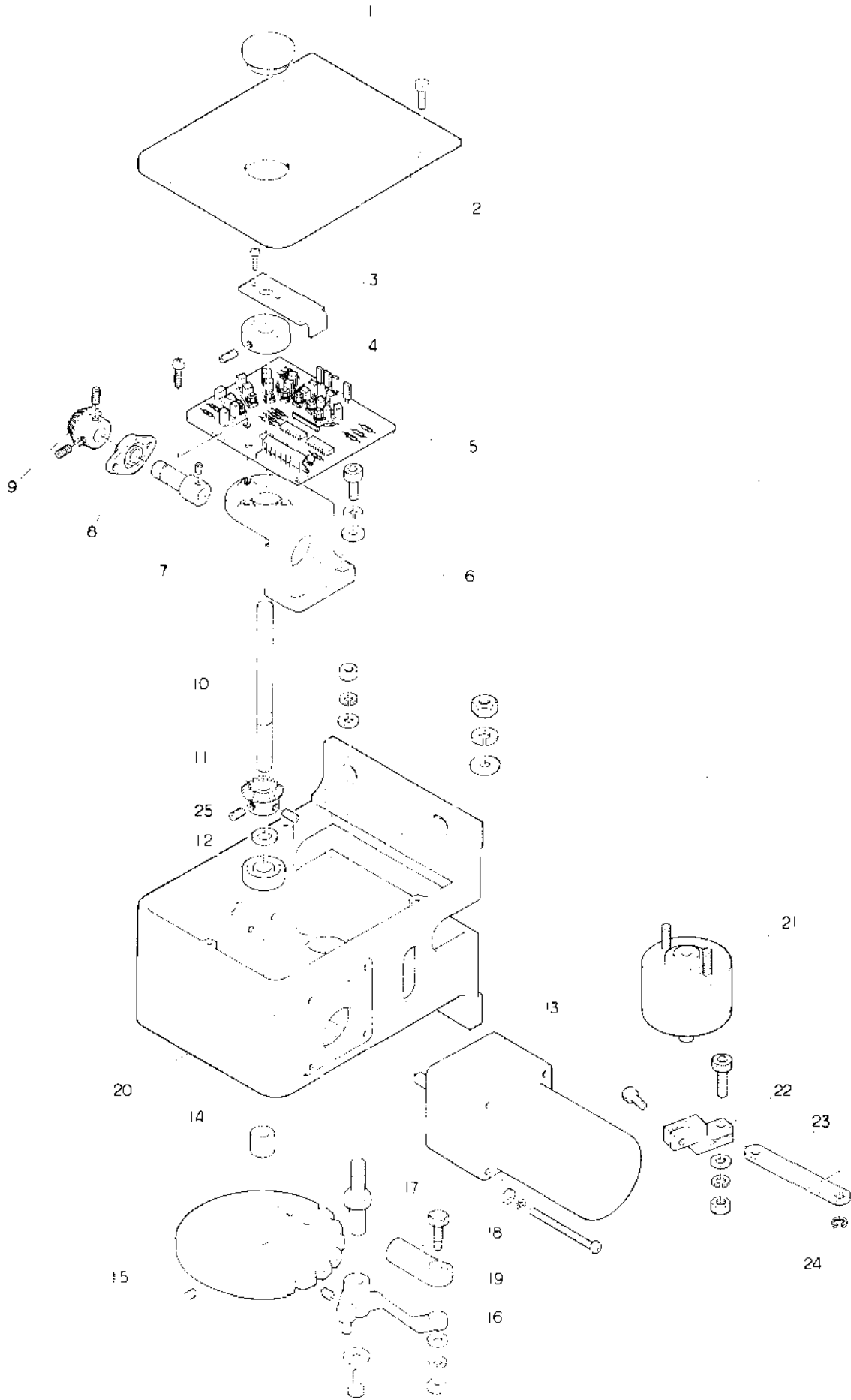




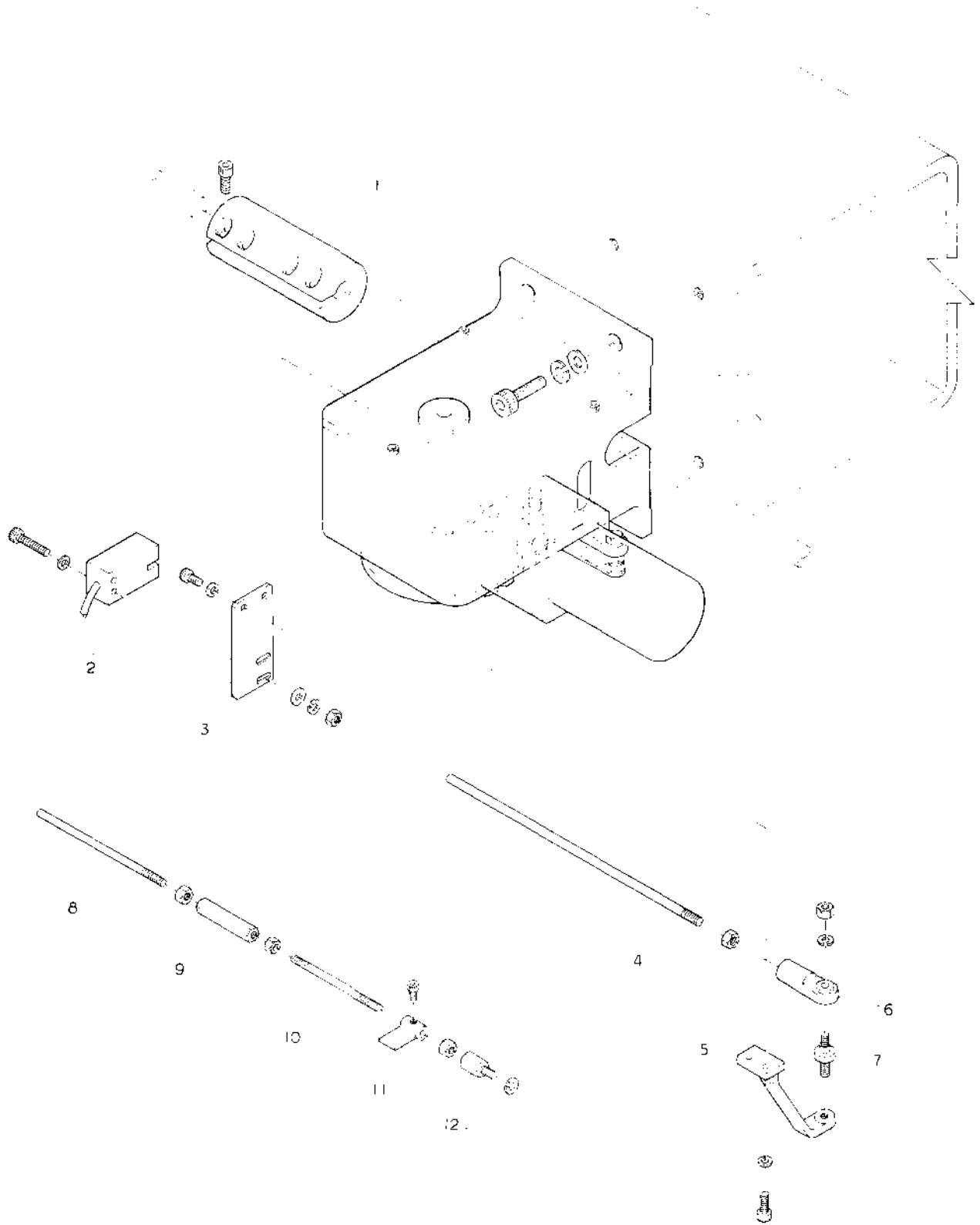
# ⑥ THREAD GUIDE MECHANISM III (7 NEEDLES)







NO.	PARTS NO.	DESCRIPTION	REMARKS
1	3374H	BUSH	
2	33G3P00	COLOR CHANGE ASSY BASE COVER	
3	3328C	COLOR CHANGE CONFIRMATION LEVER	
4	3317C	COLLAR	
5	35C0170	76# NEEDLE POSITION SENSOR UNIT (5 NEEDLES)	
6	55C0180	76# NEEDLE POSITION SENSOR UNIT (5 NEEDLES)	
7	33F1P00	COLOR CHANGE DRIVE BASE	
8	33F7P00	GEARED MOTOR SHAFT	
9	91149	EYE-OLE-LESS HOLLOW SCREW (10)	
10	3362H	BEVEL GEAR	
11	33F8P00	NEEDLE TURNING SHAFT	
12	3362H	BEVEL GEAR	
13	91001	COLLAR (0002Z)	
14	3334H	GEARED MOTOR RM HEAD (CAS 18)	
15	33F9P00	COLLAR	
16	3315H	COLOR CHANGE TURBINE	
17	33F1P00	LOCK LEVER	
18	2363E	THREADED PIVOT STUD	
19	3376P00	THREADED STUD	
20		W/ BALL COUPLING CHISEL	
21	3370P00	COLOR CHANGE ASSY BASE	
22	3385C	ROTARY SOLENOID	
23	3375P00	LOCK SOLENOID LEVER	
24	7300200	LINK LOCK LEVER	
25		E RING	
26		BUSH (W/ 17E)	

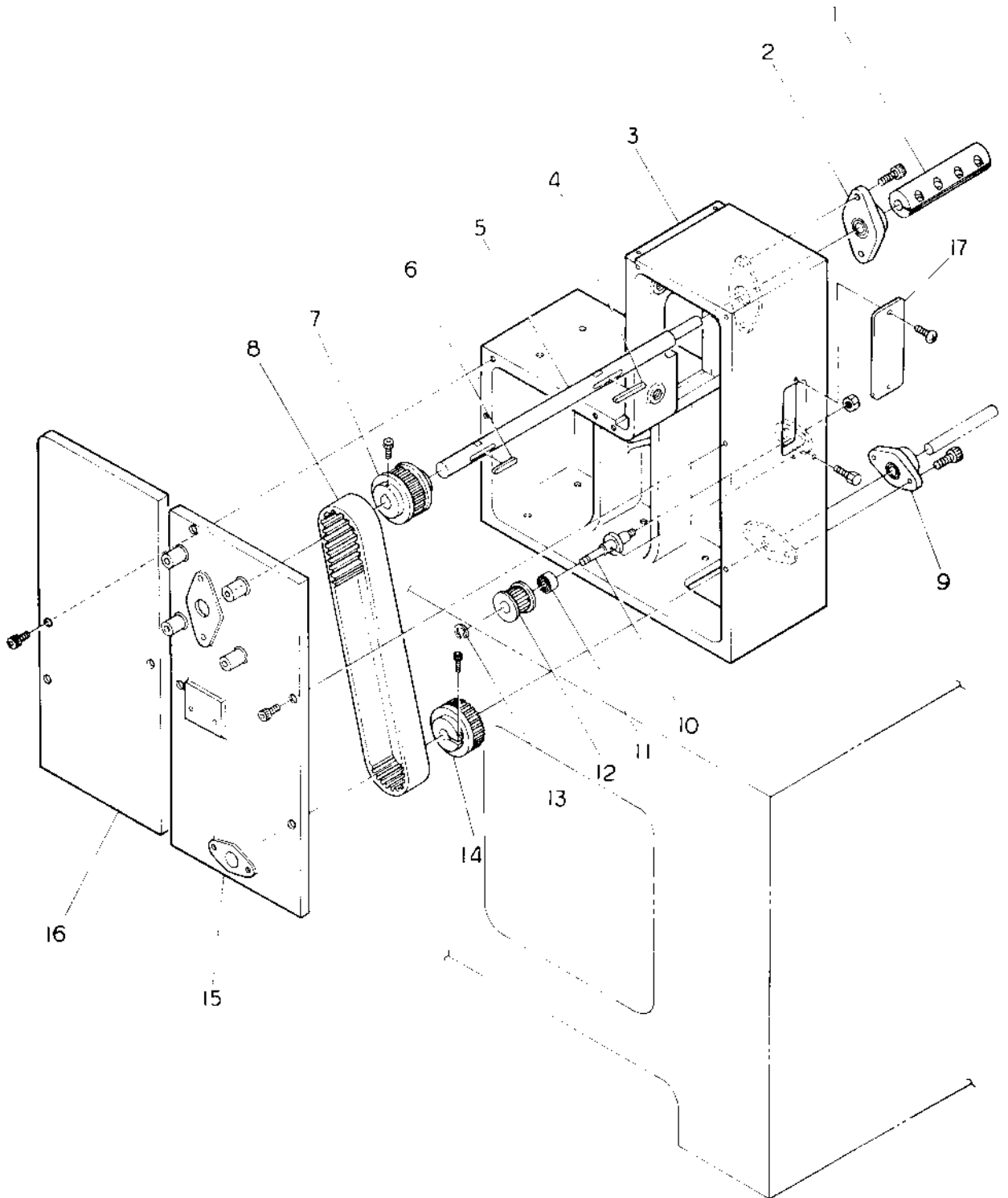


NO.	PARTS NO.	DESCRIPTION	REMARKS
1	3285H	COUPLING	
2		SENSOR TIPP 21	
3	35G2P00	TIPP 21 SENSOR BRACKET	
4		COLOR CHANGE TURNST CONNECTING ROD	
5	33E2P00	COLOR CHANGE LEVER	
6		CN.BALL JOINT	
7	23D4P00	JOINT PIN	
8		LOCK SOLENOID CONNECTING ROD	
9	3377H	HEXAGON CONNECTING ROD COUPLING	
10		LOCK SOLENOID CONNECTING ROD	
11	33G4P00	LOCK CONFIRMATION LEVER	
12	33G1P00	HEXAGON CONNECTING ROD COUPLING	

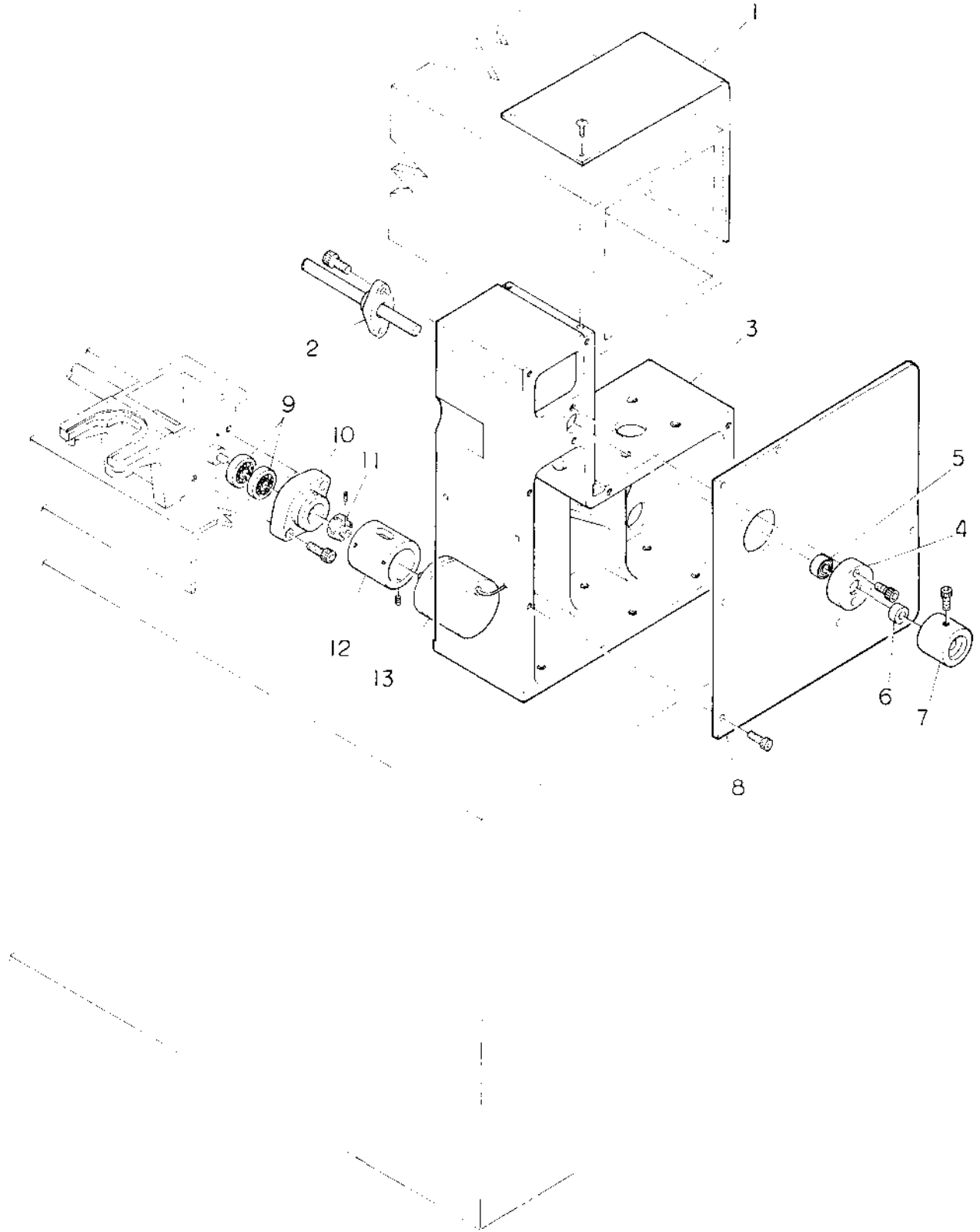




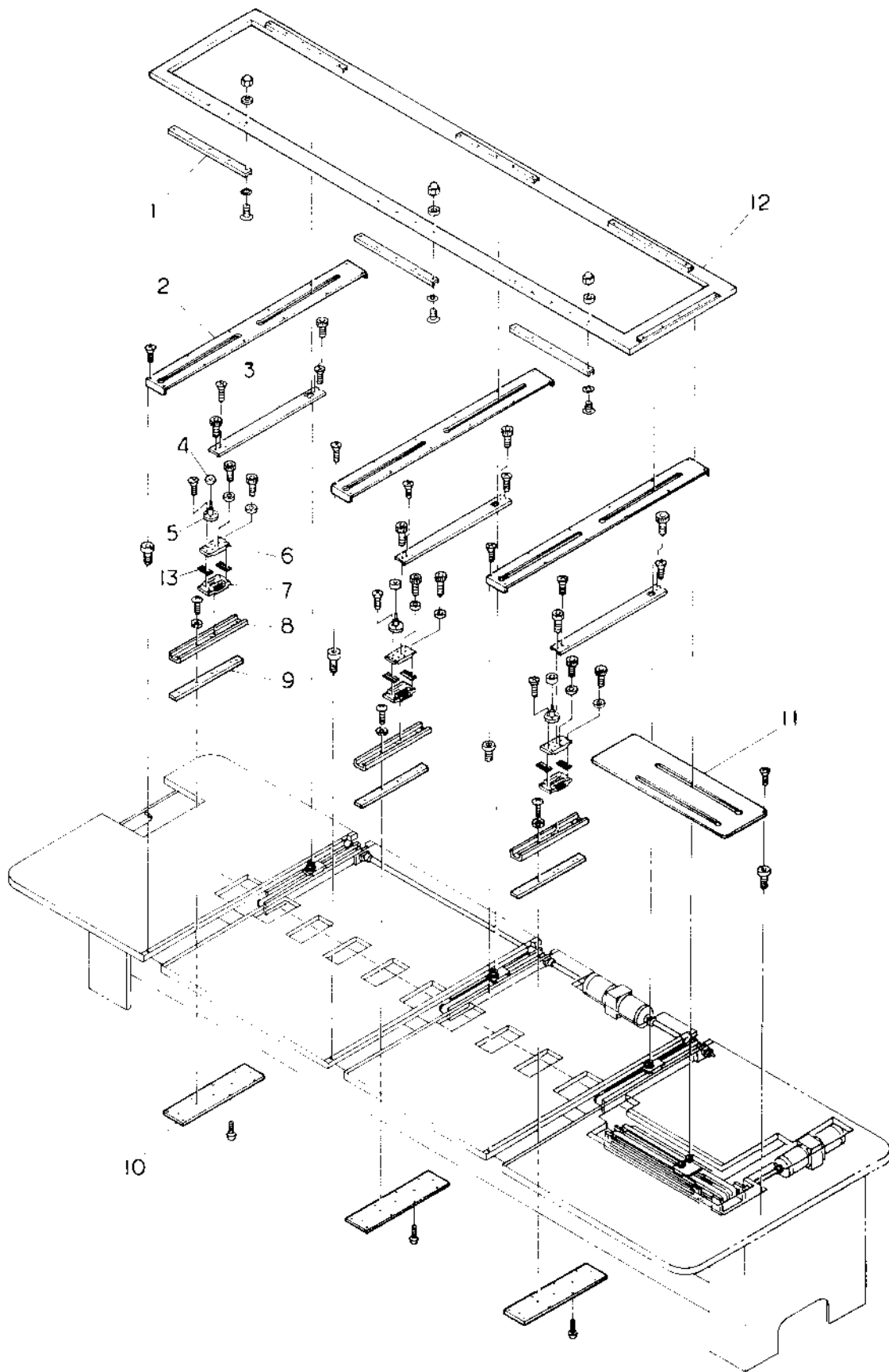








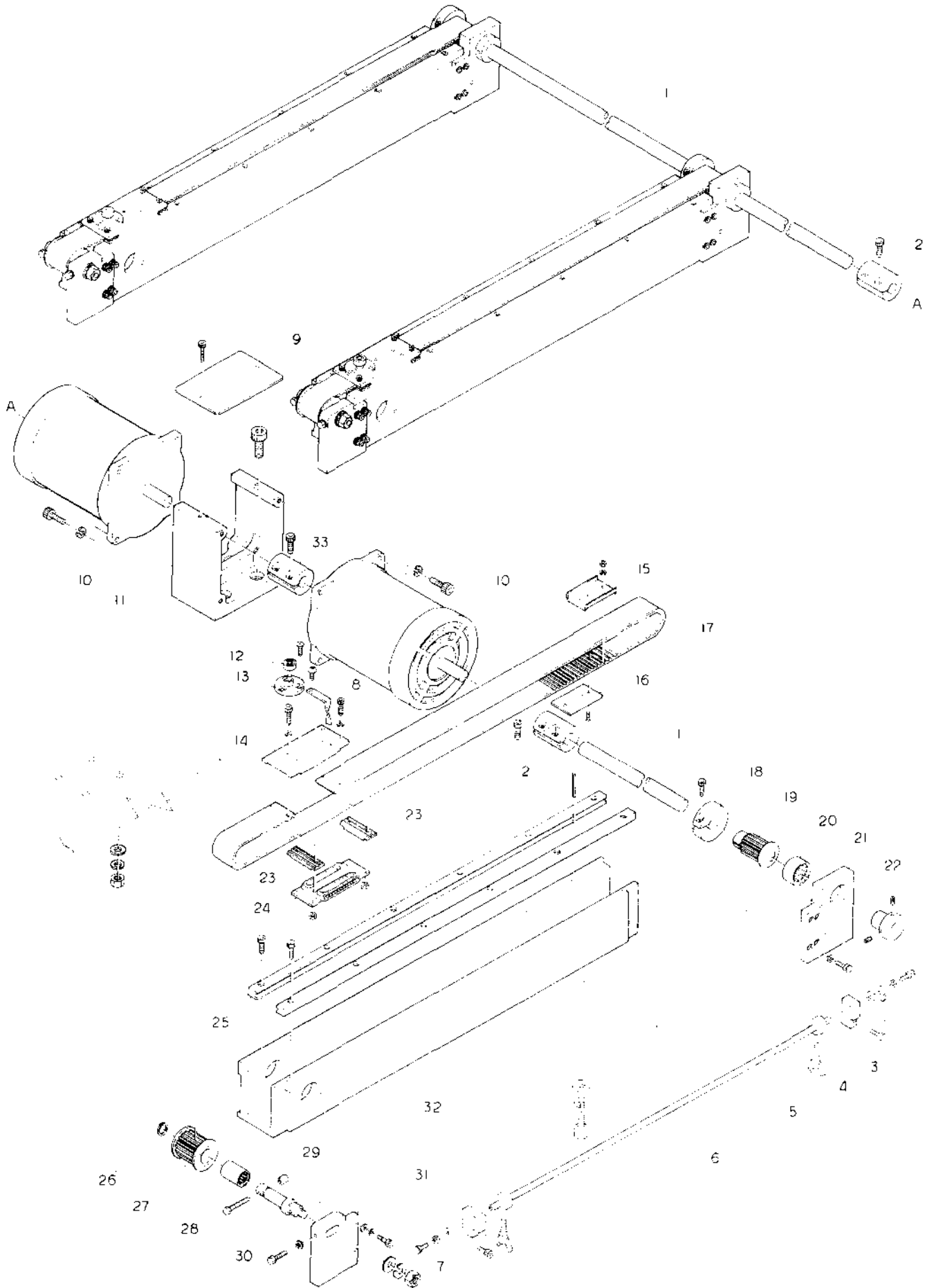






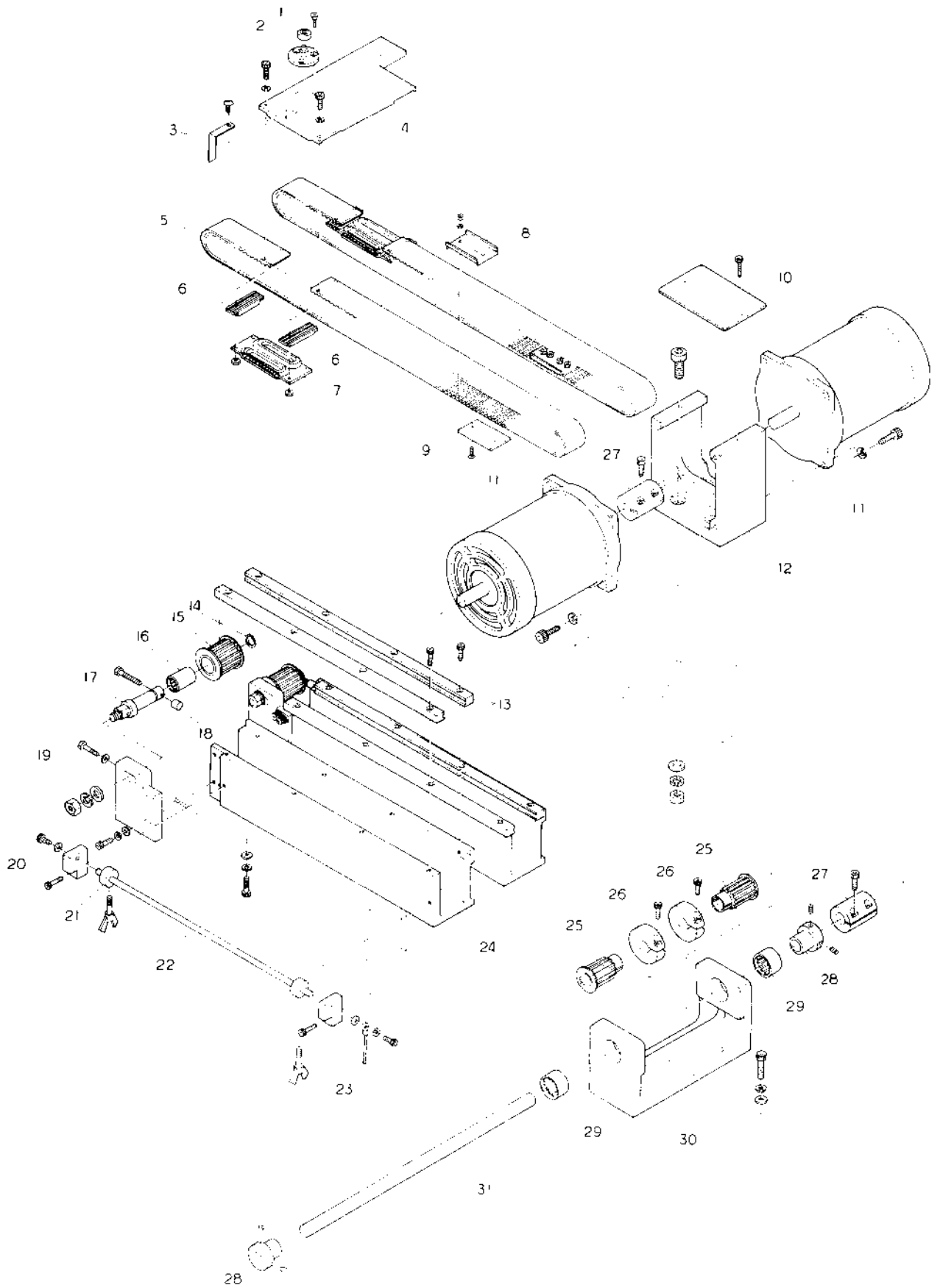


# ⑨ PANTOGRAPH DRIVE MECHANISM II (H DIRECTION)

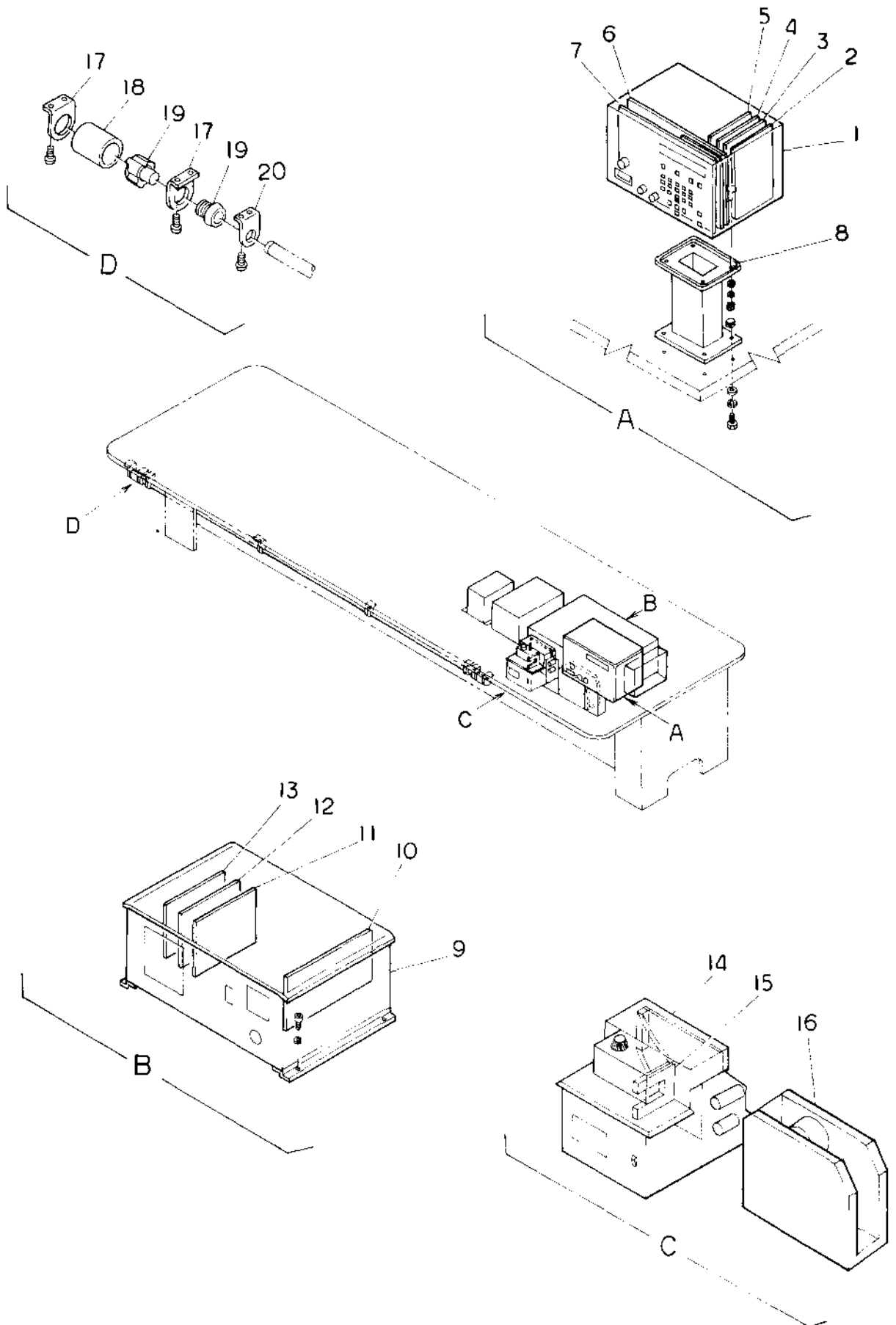


NO.	PARTS NO	DESCRIPTION	REMARKS
1		PULSE MOTOR CONNECTING SHEET	
2	4844P00	PULSE MOTOR COUPLING	
3	4849C	PANTOGRAPH STOPPER MOUNTING PLATE L	
4	4847C	PANTOGRAPH STOP COLLAR	
5		STOP COLLAR LOCK SCREW	
6		PANTOGRAPH STOPPER SHAF	
7	48001E0	PANTOGRAPH STOPPER MOUNTING PLATE R	
8	48006H0	PANTOGRAPH STOP SENSOR PLATE	
9	4844H	PULSE MOTOR BRACKET COVER	
10	4844H	PULSE MOTOR	
11	4844H	PULSE MOTOR BRACKET	
12		PANTOGRAPH BEARING GLEZZ	
13	48K8H	PANTOGRAPH BEARING MOUNT	
14	48K5H	H/SIDE PUCK PASE	
15	48K3H	TIMING BELT CONNECTING METAL FITTINGS No.1	
16	48K4H	TIMING BELT CONNECTING METAL FITTINGS No.2	
17	92988	TIMING BELT	
18	48J8H	PULLEY CLAMP	
19	48J6H	PANTOGRAPH DRIVE PULLEY BEAM	
20	91163	NEEDLE BEARING FLA 190Z	
21	48K1E	H/G/DR REAR PULLEY BRACKET	
22	4847H	PULSE MOTOR CONNECTING SHEET COLLAR	
23	48K7H	TIMING BELT JACK	
24	48K1H	SLIDE PUCK	
25	4846E	FRAME LIMB BAR	
26		SCREW 1/4"	
27	48J5E	PANTOGRAPH DRIVE PULLEY BEWIND	
28		SCREW 1/4"X1/2"	
29	4814H	PULLEY SEWING 1/2"	
30	48J6H01	PANTOGRAPH DRIVE METAL SHAFT FRONT	
31	48K6H	H/G/DR FRONT PULLEY BEWIND	
32	48K9H	H/G/DR REAR PUCK	
33	4844P00	PULSE MOTOR COUPLING	

⑨ PANTOGRAPH DRIVE MECHANISM III (V EIRECTION) 20

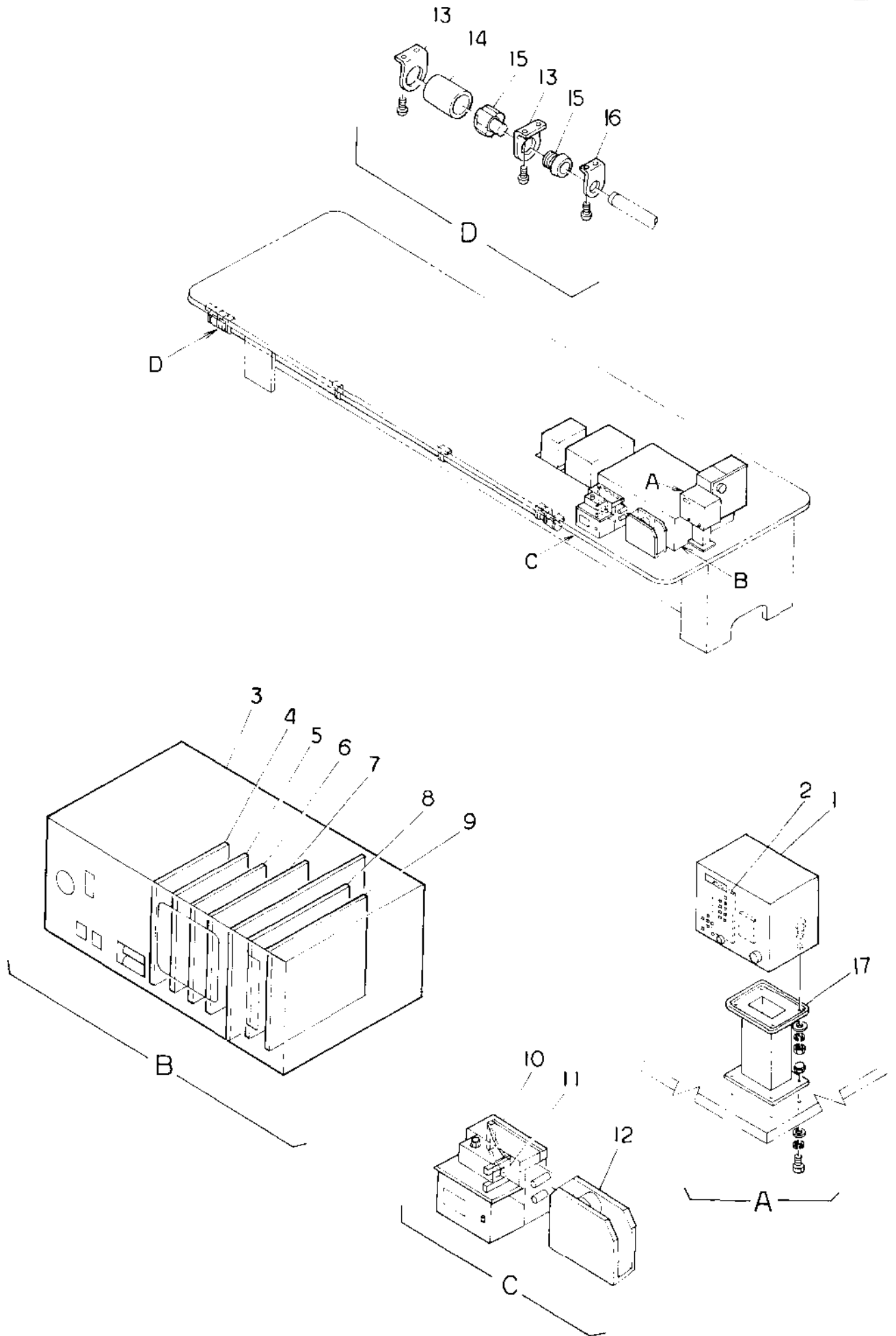


NO.	PARTS NO.	DESCRIPTION	REMARKS
1		PANTOGRAPH BEARING (A) ZZ	
2	48K8H	PANTOGRAPH BEARING MOUNT	
3	150063G	PANTOGRAPH STOP SENSOR PLATE	
4	4901P00	A SLIDE RACE CASE	
5	92088	TIMING BELT	
6	48K7H	TIMING BELT RACK	
7	4831H	SLIDE RACK	
8	48K3H	BELT CONNECTING METAL FITTINGS No.1	
9	48K4H	BELT CONNECTING METAL FITTINGS No.2	
10	48J4H	PULSE MOTOR BRACKET COVER	
11	48J0E	PULSE MOTOR	
12	48J2E	PULSE MOTOR BRACKET	
13	48L6H	FRAME LIMIT RAIL	
14		STOPPER E-10	
15	48J5H	PANTOGRAPH DRIVE PULLEY (FRONT)	
16		NEEDLE BEARING (A) F-5	
17	48J9H01	PANTOGRAPH DRIVE PULLEY SHAFT	
18	48L1H	PULLEY SHAFT LOCK CAP	
19	48K0B	HOLDER FRONT PULLEY BRACKET	
20	4518C	PANTOGRAPH STOPPER MOUNTING PLATE	
21	4517C	PANTOGRAPH STOP COLLAR	
22		PANTOGRAPH STOPPER SHAFT	
23	4519C	PANTOGRAPH STOPPER MOUNTING PLATE L	
24	48L0H	A GUIDE RAIL CASE	
25	48L6H	PANTOGRAPH DRIVE PULLEY (REAR)	
26	48L8H	PULLEY CLAMP	
27	48J3H	PULSE MOTOR COUPLING	
28	48J1H	PULSE MOTOR CONNECTING SHAFT COLLAR	
29	91163	NEEDLE BEARING (A) BCGZ	
30	48K2H	A GUIDE RAIL CASE	
31	4900P00	A P/W CONNECTING SHAFT	





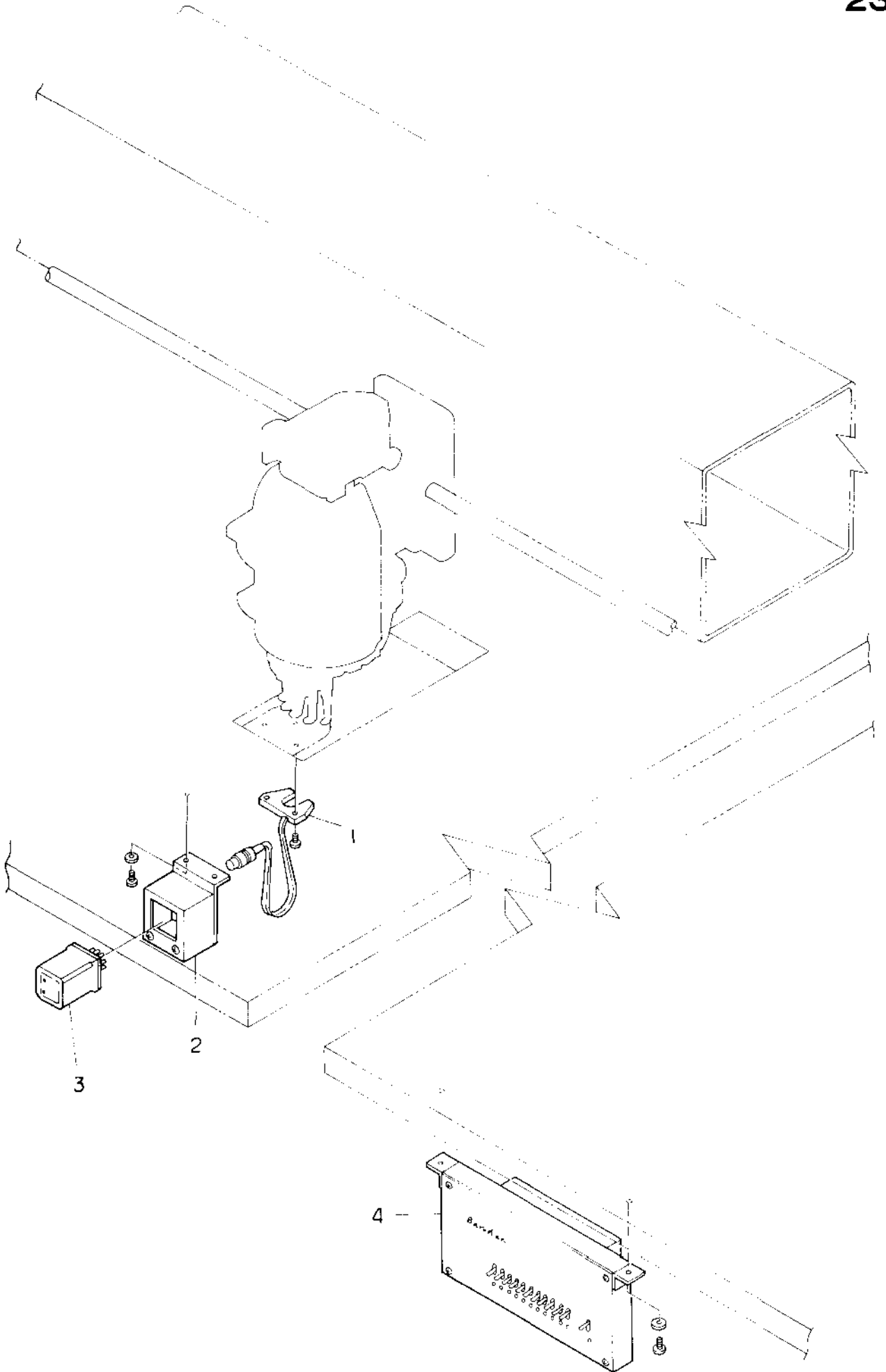
⑩ CONTROL SYSTEM II (BEXH)



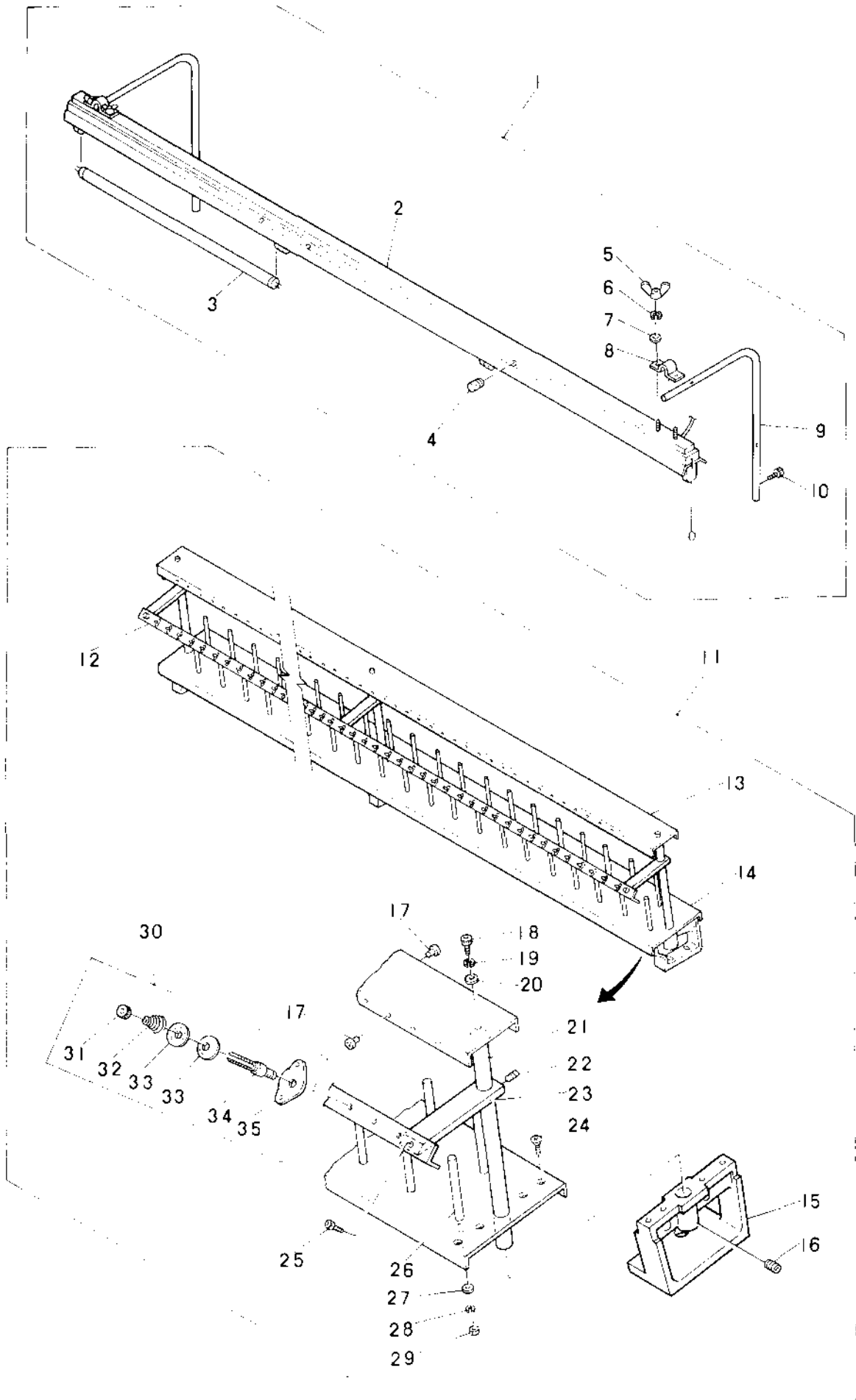




# ⑪ UNDERTHREAD STOP MOTION





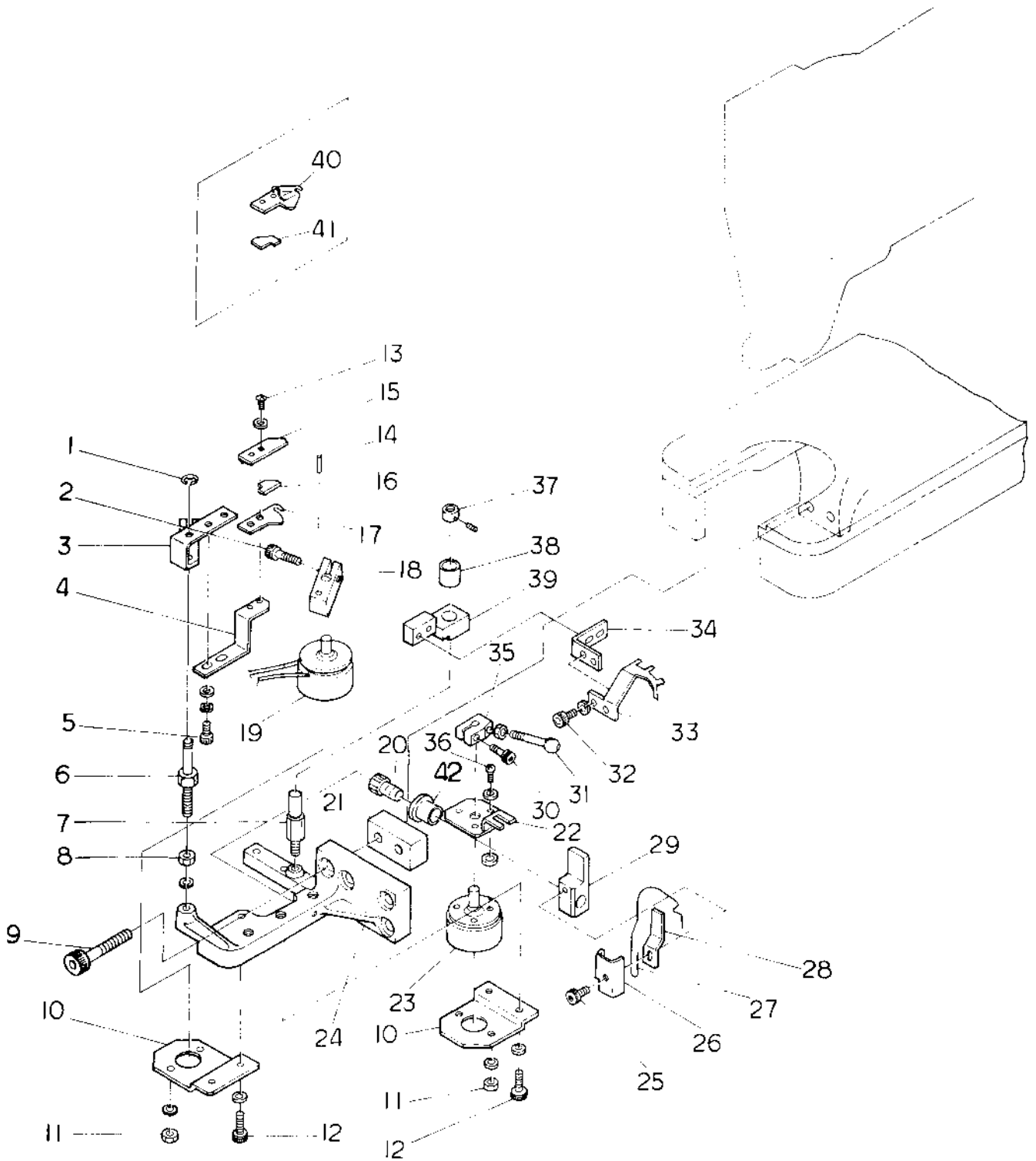


NO.	PARTS NO.	DESCRIPTION	REMARKS
1	7110B	FLUORESCENT LIGHT	
2	7112B	FLUORESCENT STAND	
3	7111F	FLUORESCENT LAMP	
4		STARTER	
5		NUT	
6		SPRING WASHER	
7		PLATE WASHER	
8	7118C	ARM FIXING METAL A	
9	7115F	ARM PIPE	
10		SCREW (M)	
11	7121H	THREAD STAND UNIT	
12	7124H	THREAD GUIDE BAR	
13	7121H	UPPER COVER THREAD STAND	
14	7122H	BASE THREAD STAND	
15		THREAD STAND MOUNTING	
16		GRUB SCREW	
17	2423E	THREAD GUIDE CERAMIC	
18		SCREW (M)	
19		SPRING WASHER	
20		PLATE WASHER	
21	7126C	THREAD STAND POST	
22		GRUB SCREW	
23	7127C	BRACKET AND ARM THREAD STAND	
24		SCREW (M) (0.7)	
25		SCREW (M) (0.8)	
26	7128E	THREAD CONE PIN	
27		WASHER	
28		SPRING WASHER	
29		NUT (M) (0.8)	
30	2405F	THREAD TENSION UNIT ASSY	
31	2471F	ADJUSTING NUT	
32	2435H	SPRING	
33	2425F	TENSION DISC	
34	2416F	THREAD STAND TENSION POST	
35	2421F	BACKING PLATE	



NO.	PARTS NO.	DESCRIPTION	REMARKS
1		SCREW M1	
2	2720H	ROTARY PLATE FRONT PIN A	
3	2709H	ROTARY BOARD LEVER	
4	2715C01	SUPPORTER	
5	2716C	THREAD HOLDER POST	
6	2772C	THREAD HOLDER CMP	
7	2731C	THREAD KEEP PIN FOR 5 NEEDLE	
	2731G	THREAD KEEP PIN FOR 7 NEEDLE	
8		SCREW SMD 61 30	
9	2358F	CERAMIC THREAD GUIDE	
10	2728C	THREAD END TRAP FOR 5 NEEDLE	
	2728G	THREAD END TRAP FOR 7 NEEDLE	
11	2750C	THREAD KEEP CLAMP	
12	2737C01	KEEP SPRING	
13		SCREW M3	
14	2739C01	THREAD KEEP BLOCK	
15		SCREW M3	
16		SCREW M3	
17	2719C	BRACKET FOR SOL PLUNGER	
18	2701C	NEEDLE BAR DRIVER SHAFT BUSH	
19	2722C01	FIXING BASE	
20	2705C	SLIDER CMP	
21	2740C01	LEVER SPRING	
22	2703C	SLIDE BASE	
23	2705C	LEVER PIN	
24		SCREW M1	
25	2706C	LEVER	
26		E RING 1	
27	2707C	ROD PIN	
28	2718C	PLATE ROD	
29		E RING 2	
30	2717C	SECOND LEVER	
31	2708C	SECOND LEVER PIN	
32		SCREW M3	
33		NUT M3	
34		SCREW M1	
35	2710C	SOLENOID PIN	
36	25601	KEEP SOLENOID TDS KPS2	
37		BEADING PIN PS 1 1 6	
38	2737C01	THREAD KEEP LEVER	
39		SCREW M3	
40	2738C01	THREAD KEEP BASE	
41	2737C	STOP RUBBER	
42	20007	ROTARY SOLENOID BIR67 537 0580	
43	2736C	STOP BASE	







NO.	PARTS NO.	DESCRIPTION	REMARKS
1		E RING 2.5	
2		SCREW M1	
3	2744C	TRIMMING LEVER	
4	2745C	FIXING STAY	
5		SCREW M4	
6	2746C	LEVER PIN A	
7	2750C01	LEVER PIN B	
8		NUT M1	
9		SCREW M6	
10	2748C01	SOLENOID STAY	
11		NUT M1	
12		SCREW M1	
13		SCREW M1	
14		PIN 3	
15	2747C	GUIDE UPPER	
16	2793C	KNIFE	
17	2749C	GUIDE LOWER	
18	2749C	SOLENOID LEVER A	
19	95695	ROTARY SOLENOID GER25-13	
20	2767C	GRUB SCREW M1	
21	2742C	FIXING WASHER FOR 5 NEEDLE	
	2742C	FIXING WASHER FOR 3 NEEDLE	
22	2756C	SOLENOID LEVER C	
23	95696	ROTARY SOLENOID GER25-13	
24	2741C	THREAD TRIMMING FIXING BASE	
25		SCREW M3	
26	2756C	HOOK FIXING STAY	
27	2759C02	THREAD PULLING BOOK	
28	2761C	PLATE SPRING B	
29	2758C	THREAD PULLING LEVER	
30		SCREW M1	
31	2755C01	PIN	
32		SCREW M1	
33	2753C01	THREAD DEVIDING HOOK	
34	2752C	THREAD DEVIDING PIN STAY	
35	2754C	SOLENOID LEVER B	
36		SCREW M1.6	
37	2792C	COIL SPRING	
38		BUSH METRIC 1.6	
39	2751C	THREAD DEVIDING LEVER	
40	2773C	GUIDE	
41	2774C	KNIFE	
42	2757C	MESH COIL M1	